

Pole

03 - Surface to Surface - 4 Sections - 120V

Series

Pole

Product
 03 - Surface to Surface - 4 Sections - 120V

Dimensions

	A	B
Min.	92in / 234cm	69in / 175cm
Preferred	97in / 246cm	67in / 170cm
Max.	102in / 259cm	66in / 168cm

Weight
 5lb/2.3kg

Materials

Aluminum, stainless steel, silicone

Metal Finishes

Black

Large Mount - Powered

L 5.1in/13cm x W 5.1in/13cm x
 H 0.4in/10cm cylindrical plate in
 matching metal finish

Small Mount - Non powered

L 1.8in/45cm x W 1.8in/45cm x
 H 0.3in/7cm cylindrical plate in
 matching metal finish

Certifications

UL, cUL (120V)

120V Illumination

Integrated LED
 Wattage: 10 Watts
 Lumens: 400 Lumens
 Color Temperature: 2700K, 90CRI
 LED Lifetime: 70,000 Hours

Dimming

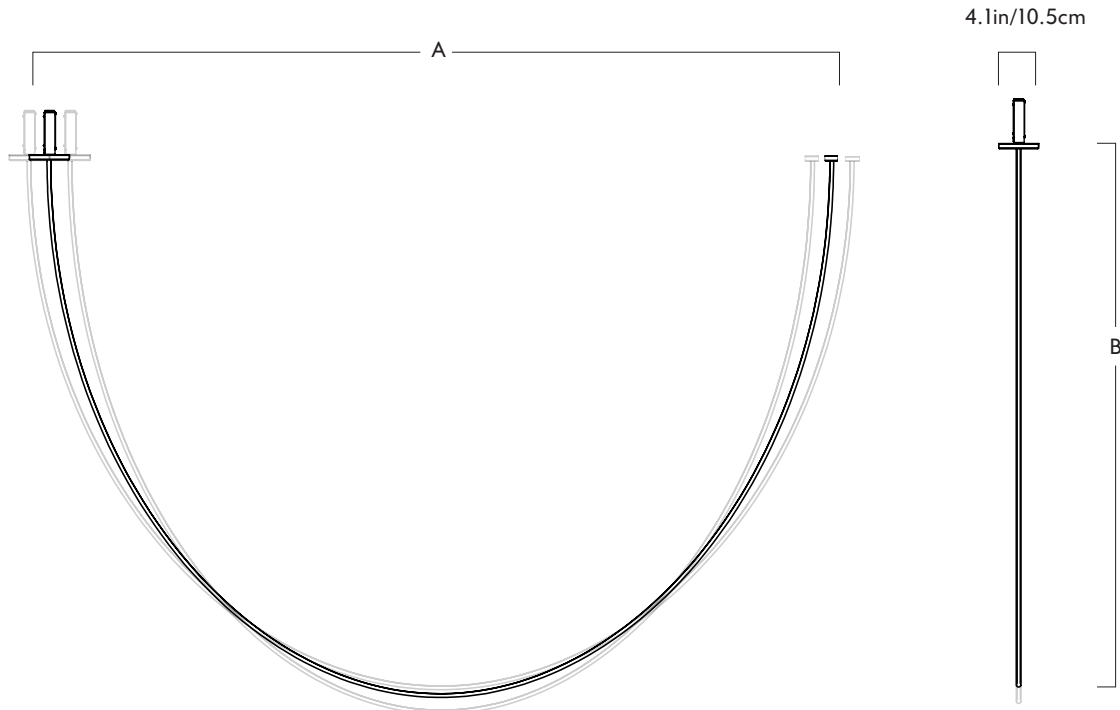
Triac, ELV or 0-10V

Driver location

Driver located in the canopy

Fixture Mounting

Designed to be mounted on standard 4
 in. Electrical Box.
 Two #8-32 screws included.



Pole

03 - Surface to Surface - 4 Sections - 240V

Series
Pole

Product
03 - Surface to Surface - 4 Sections - 240V

Dimensions

	A	B
Min.	92in / 234cm	69in / 175cm
Preferred	97in / 246cm	67in / 170cm
Max.	102in / 259cm	66in / 168cm

Weight
6.9lb/3.1kg

Materials
Aluminum, stainless steel, silicone

Metal Finishes
Black

Large Mount - Powered
L 4.1in/10.5cm x W 4.1in/10.5cm x H 0.4in/10cm cylindrical plate in matching metal finish.

Small Mount - Non powered
L 1.8in/45cm x W 1.8in/45cm x H 0.3in/7cm cylindrical plate in matching metal finish

Driver Box (240V Only)
240V version includes box to house drivers. Dimensions are L 1.2in/3cm x W 2.9in/7.5cm x H 4.5in/11.5cm

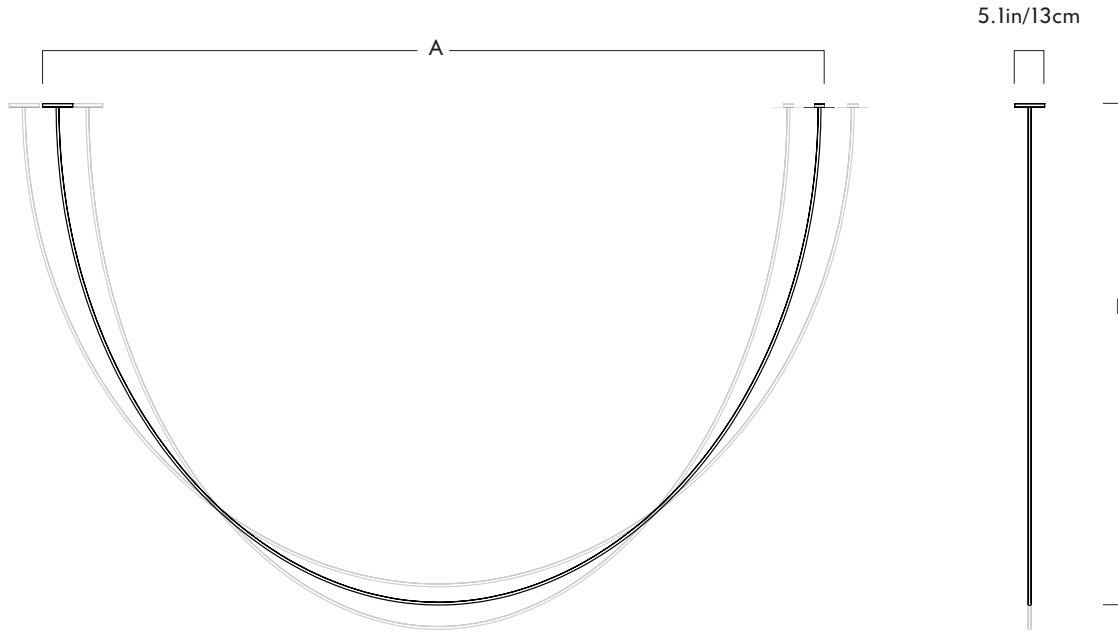
Certification
CE (240V)

240V Illumination
Integrated LED
Wattage: 10 Watts
Lumens: 400 Lumens
Color Temperature: 2700K, 90CRI
LED Lifetime: 70,000 Hours

Dimming
ELV or 0-10V

Driver location
Driver located in the Driver Box.

Fixture Mounting
Designed to be mounted on standard 4 in. Electrical Box.
Two #8-32 screws included.
Additional mounting hardware provided for 240V versions.



Pole

03 - Surface to Surface - 5 Sections - 120V

Series

Pole

Product
 03 - Surface to Surface - 5 Sections - 120V

Dimensions	A	B
Min.	115in / 292cm	86in / 218cm
Preferred	125in / 317cm	82in / 208cm
Max.	136in / 345cm	79in / 201cm

Weight
 5.6lb/2.5kg

Materials
 Aluminum, stainless steel, silicone

Metal Finishes
 Black

Large Mount - Powered
 L 5.1in/13cm x W 5.1in/13cm x
 H 0.4in/10cm cylindrical plate in
 matching metal finish

Small Mount - Non powered
 L 1.8in/45cm x W 1.8in/45cm x
 H 0.3in/7cm cylindrical plate in
 matching metal finish

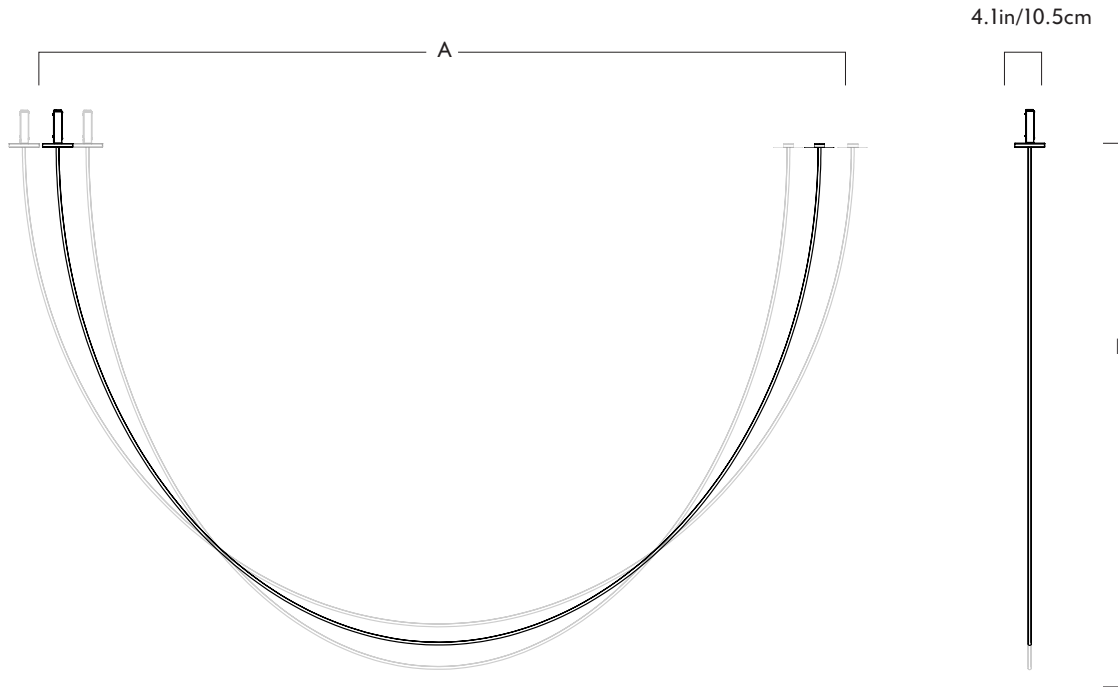
Certifications
 UL, cUL (120V)

120V Illumination
 Integrated LED
 Wattage: 13 Watts
 Lumens: 500 Lumens
 Color Temperature: 2700K, 90CRI
 LED Lifetime: 70,000 Hours

Dimming
 Triac, ELV or 0-10V

Driver location
 Driver located in the canopy

Fixture Mounting
 Designed to be mounted on standard 4
 in. Electrical Box.
 Two #8-32 screws included.



Pole

03 - Surface to Surface - 5 Sections - 240V

Series

Pole

Product

03 - Surface to Surface - 5 Sections - 240V

Dimensions

	A	B
Min.	115in / 292cm	86in / 218cm
Preferred	125in / 317cm	82in / 208cm
Max.	136in / 345cm	79in / 201cm

Weight

7.5lb/43.4kg

Materials

Aluminum, stainless steel, silicone

Metal Finishes

Black

Large Mount - Powered

L 4.1in/10.5cm x W 4.1in/10.5cm x H 0.4in/10cm cylindrical plate in matching metal finish.

Small Mount - Non powered

L 1.8in/45cm x W 1.8in/45cm x H 0.3in/7cm cylindrical plate in matching metal finish

Driver Box (240V Only)

240V version includes box to house drivers. Dimensions are L 1.2in/3cm x W 2.9in/7.5cm x H 4.5in/11.5cm

Certification

CE (240V)

240V Illumination

Integrated LED
 Wattage: 13 Watts
 Lumens: 500 Lumens
 Color Temperature: 2700K, 90CRI
 LED Lifetime: 70,000 Hours

Dimming

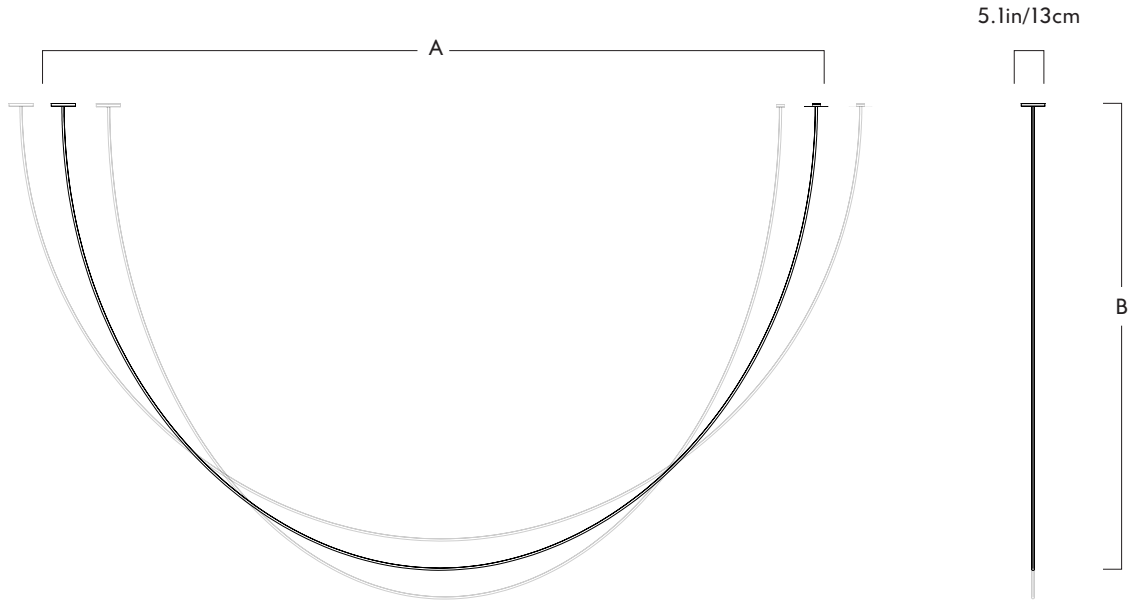
ELV or 0-10V

Driver location

Driver located in the Driver Box.

Fixture Mounting

Designed to be mounted on standard 4 in. Electrical Box.
 Two #8-32 screws included.
 Additional mounting hardware provided for 240V versions.



Pole

03 - Surface to Surface - 6 Sections - 120V

Series

Pole

Materials
 Aluminum, stainless steel, silicone

120V Illumination
 Integrated LED
 Wattage: 15 Watts
 Lumens: 600 Lumens
 Color Temperature: 2700K, 90CRI
 LED Lifetime: 70,000 Hours

Product
 03 - Surface to Surface - 6 Sections - 120V

Metal Finishes
 Black

Dimming
 Triac, ELV or 0-10V

Dimensions		
	A	B
Min.	140in / 356cm	103in / 262cm
Preferred	157in / 399cm	97in / 246cm
Max.	175in / 445cm	91in / 231cm

Large Mount - Powered
 L 5.1in/13cm x W 5.1in/13cm x
 H 0.4in/10cm cylindrical plate in
 matching metal finish

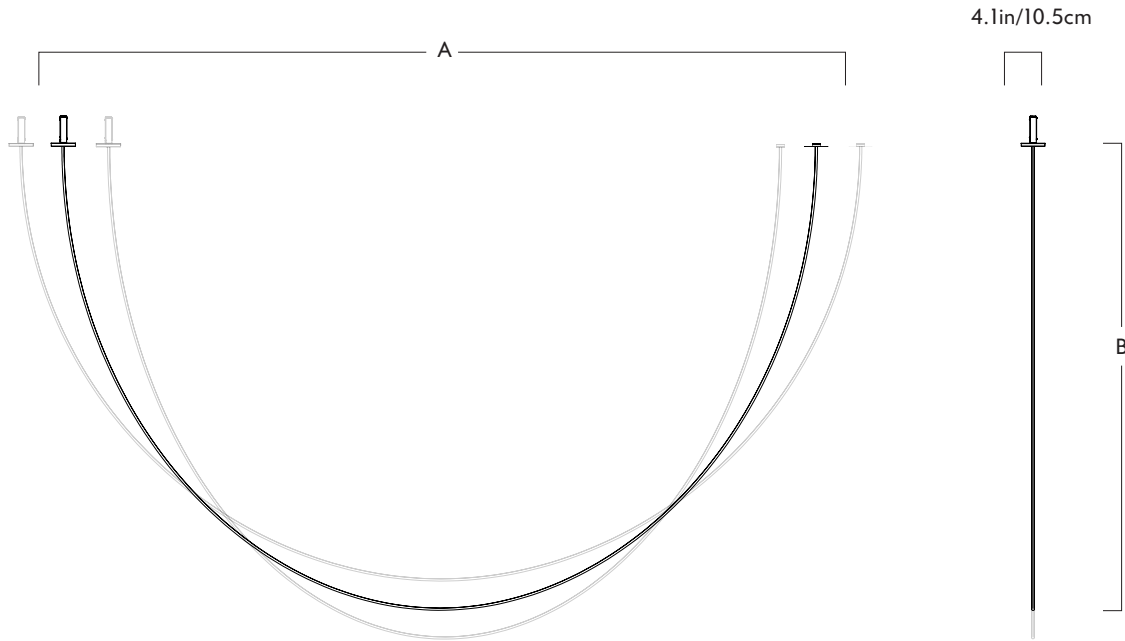
Driver location
 Driver located in the canopy

Weight
 6.2lb/2.8kg

Small Mount - Non powered
 L 1.8in/45cm x W 1.8in/45cm x
 H 0.3in/7cm cylindrical plate in
 matching metal finish

Fixture Mounting
 Designed to be mounted on standard 4
 in. Electrical Box.
 Two #8-32 screws included.

Certifications
 UL, cUL (120V)



Pole

03 - Surface to Surface - 6 Sections - 240V

Series Pole

Product
 03 - Surface to Surface - 6 Sections - 240V

Dimensions	A	B
Min.	140in / 356cm	103in / 262cm
Preferred	157in / 399cm	97in / 246cm
Max.	175in / 445cm	91in / 231cm

Weight
 8.1lb/3.7kg

Materials
 Aluminum, stainless steel, silicone

Metal Finishes
 Black

Large Mount - Powered
 L 4.1in/10.5cm x W 4.1in/10.5cm x H 0.4in/10cm cylindrical plate in matching metal finish.

Small Mount - Non powered
 L 1.8in/45cm x W 1.8in/45cm x H 0.3in/7cm cylindrical plate in matching metal finish

Driver Box (240V Only)
 240V version includes box to house drivers. Dimensions are L 1.2in/3cm x W 2.9in/7.5cm x H 4.5in/11.5cm

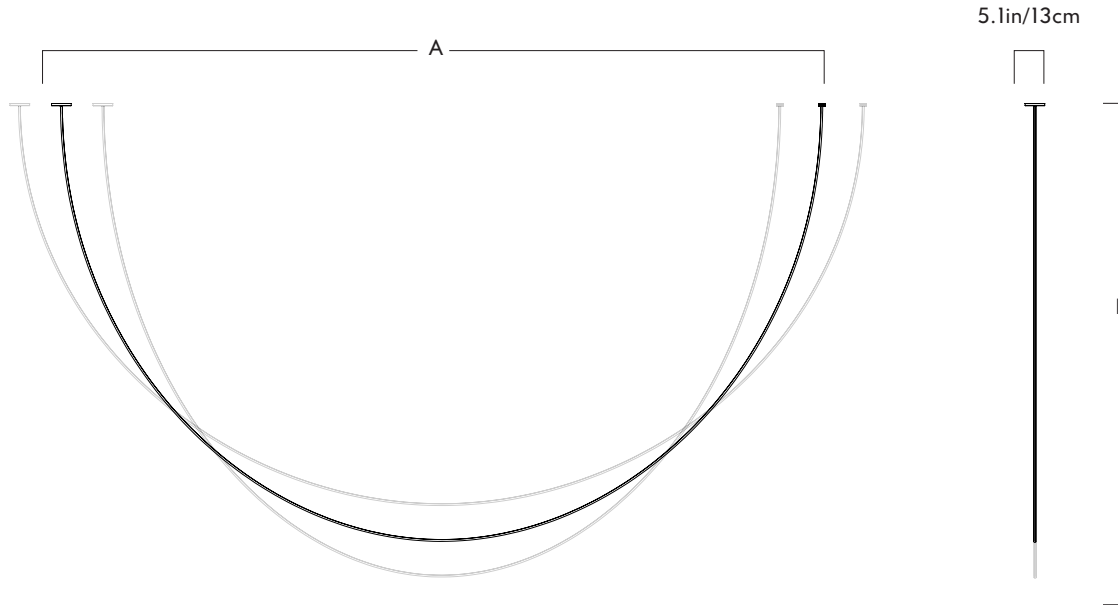
Certification
 CE (240V)

240V Illumination
 Integrated LED
 Wattage: 15 Watts
 Lumens: 600 Lumens
 Color Temperature: 2700K, 90CRI
 LED Lifetime: 70,000 Hours

Dimming
 ELV or 0-10V

Driver location
 Driver located in the Driver Box.

Fixture Mounting
 Designed to be mounted on standard 4 in. Electrical Box.
 Two #8-32 screws included.
 Additional mounting hardware provided for 240V versions.



Pole

03 - Surface to Surface - 7 Sections - 120V

Series

Pole

Product
 03 - Surface to Surface - 7 Sections - 120V

Dimensions	A	B
Min.	170in / 432cm	119in / 302cm
Preferred	191in / 485cm	110in / 279cm
Max.	212in / 538cm	101in / 256cm

Weight
 6.8lb/3.1kg

Materials
 Aluminum, stainless steel, silicone

Metal Finishes
 Black

Large Mount - Powered
 L 5.1in/13cm x W 5.1in/13cm x
 H 0.4in/10cm cylindrical plate in
 matching metal finish

Small Mount - Non powered
 L 1.8in/45cm x W 1.8in/45cm x
 H 0.3in/7cm cylindrical plate in
 matching metal finish

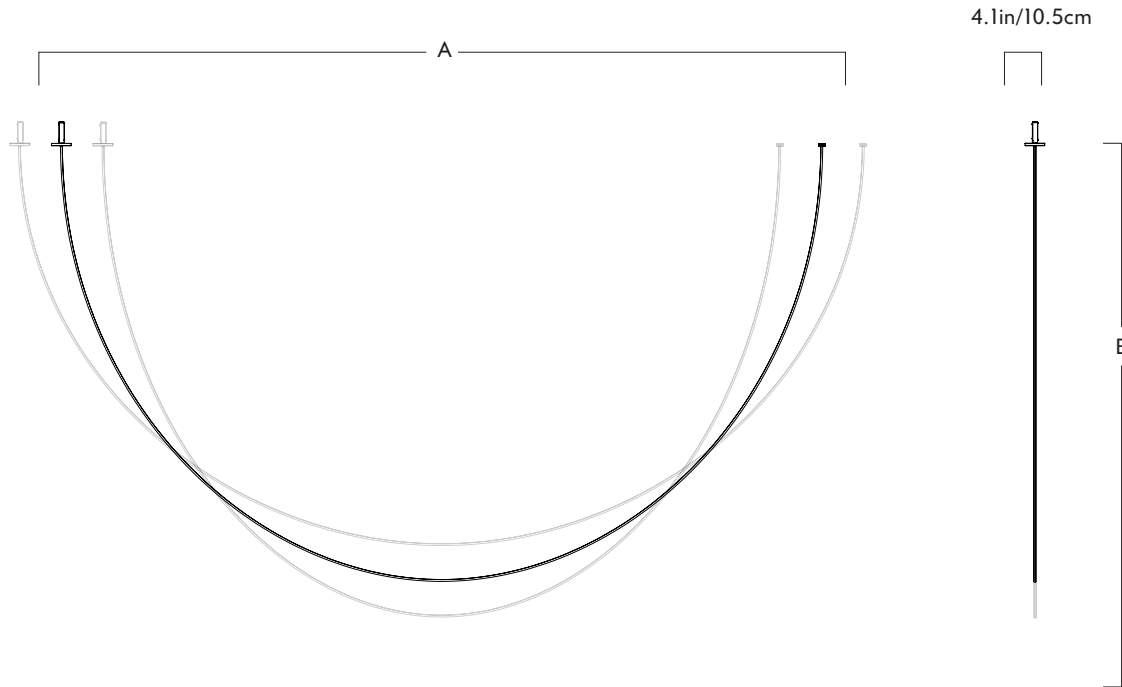
Certifications
 UL, cUL (120V)

120V Illumination
 Integrated LED
 Wattage: 18 Watts
 Lumens: 700 Lumens
 Color Temperature: 2700K, 90CRI
 LED Lifetime: 70,000 Hours

Dimming
 Triac, ELV or 0-10V

Driver location
 Driver located in the canopy

Fixture Mounting
 Designed to be mounted on standard 4
 in. Electrical Box.
 Two #8-32 screws included.



Pole

03 - Surface to Surface - 7 Sections - 240V

Series
Pole

Product
03 - Surface to Surface - 7 Sections - 240V

Dimensions

	A	B
Min.	170in / 432cm	119in / 302cm
Preferred	191in / 485cm	110in / 279cm
Max.	212in / 538cm	101in / 256cm

Weight
8.7lb/3.9kg

Materials
Aluminum, stainless steel, silicone

Metal Finishes
Black

Large Mount - Powered
L 4.1in/10.5cm x W 4.1in/10.5cm x
H 0.4in/10cm cylindrical plate in
matching metal finish.

Small Mount - Non powered
L 1.8in/45cm x W 1.8in/45cm x
H 0.3in/7cm cylindrical plate in
matching metal finish

Driver Box (240V Only)
240V version includes box to house
drivers. Dimensions are L 1.2in/3cm x W
2.9in/7.5cm x H 4.5in/11.5cm

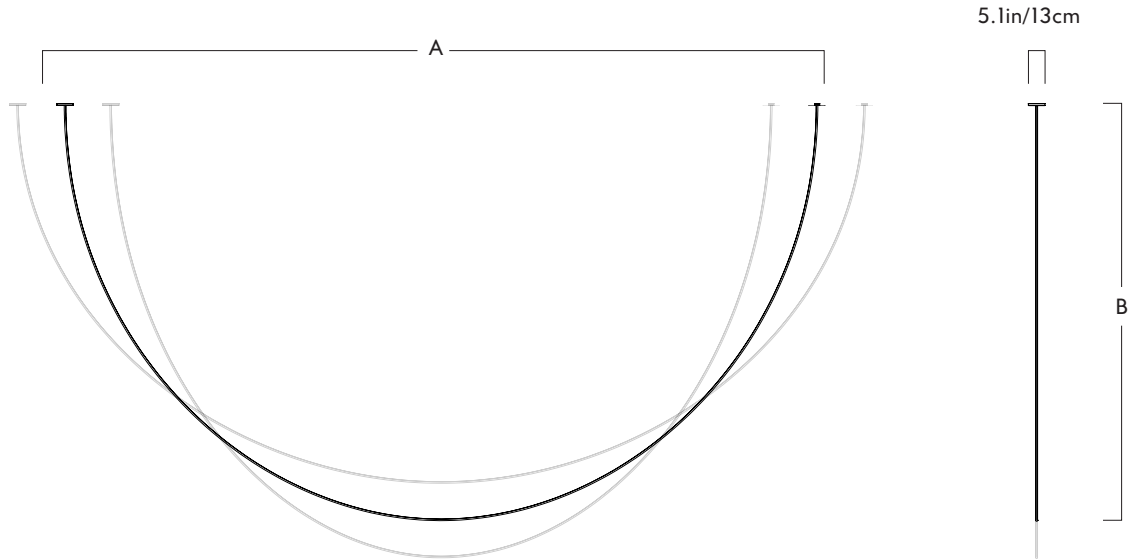
Certification
CE (240V)

240V Illumination
Integrated LED
Wattage: 18 Watts
Lumens: 700 Lumens
Color Temperature: 2700K, 90CRI
LED Lifetime: 70,000 Hours

Dimming
ELV or 0-10V

Driver location
Driver located in the Driver Box.

Fixture Mounting
Designed to be mounted on standard 4
in. Electrical Box.
Two #8-32 screws included.
Additional mounting hardware provided
for 240V versions.



Pole

03 - Surface to Surface - 8 Sections - 120V

Series
Pole

Materials
Aluminum, stainless steel, silicone

120V Illumination
Integrated LED
Wattage: 20 Watts
Lumens: 800 Lumens
Color Temperature: 2700K, 90CRI
LED Lifetime: 70,000 Hours

Product
03 - Surface to Surface - 8 Sections - 120V

Metal Finishes
Black

<u>Dimensions</u>	A	B
Min.	195in / 495cm	134in / 340cm
Preferred	222in / 564cm	123in / 312cm
Max.	250in / 635cm	112in / 184cm

Large Mount - Powered
L 5.1in/13cm x W 5.1in/13cm x
H 0.4in/10cm cylindrical plate in
matching metal finish

Dimming
Triac, ELV or 0-10V

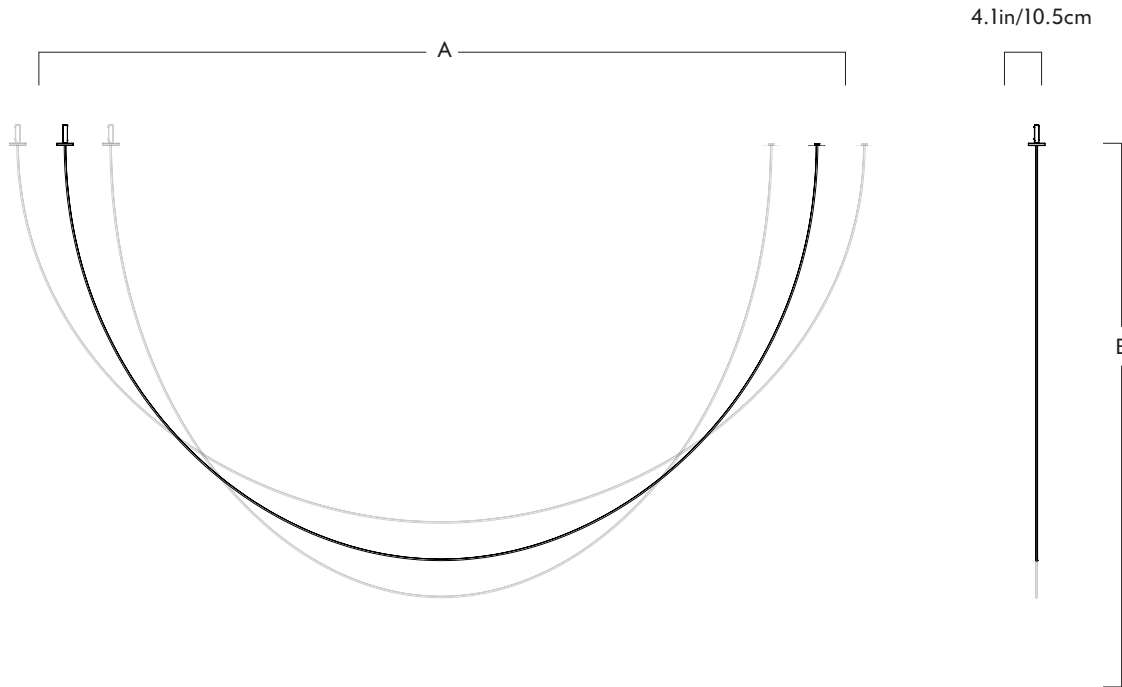
Weight
7.4lb/3.4kg

Small Mount - Non powered
L 1.8in/45cm x W 1.8in/45cm x
H 0.3in/7cm cylindrical plate in
matching metal finish

Driver location
Driver located in the canopy

Fixture Mounting
Designed to be mounted on standard 4
in. Electrical Box.
Two #8-32 screws included.

Certifications
UL, cUL (120V)



Pole

03 - Surface to Surface - 8 Sections - 240V

Series
Pole

Materials
Aluminum, stainless steel, silicone

240V Illumination
Integrated LED
Wattage: 20 Watts
Lumens: 800 Lumens
Color Temperature: 2700K, 90CRI
LED Lifetime: 70,000 Hours

Product
03 - Surface to Surface - 8 Sections - 240V

Metal Finishes
Black

Dimensions

	A	B
Min.	195in / 495cm	134in / 340cm
Preferred	222in / 564cm	123in / 312cm
Max.	250in / 635cm	112in / 184cm

Large Mount - Powered
L 4.1in/10.5cm x W 4.1in/10.5cm x H 0.4in/10cm cylindrical plate in matching metal finish.

Dimming
ELV or 0-10V

Weight
9.3lb/4.2kg

Small Mount - Non powered
L 1.8in/45cm x W 1.8in/45cm x H 0.3in/7cm cylindrical plate in matching metal finish

Driver Box (240V Only)
240V version includes box to house drivers. Dimensions are L 1.2in/3cm x W 2.9in/7.5cm x H 4.5in/11.5cm

Driver location
Driver located in the Driver Box.

Fixture Mounting
Designed to be mounted on standard 4 in. Electrical Box.
Two #8-32 screws included.
Additional mounting hardware provided for 240V versions.

Certification
CE (240V)