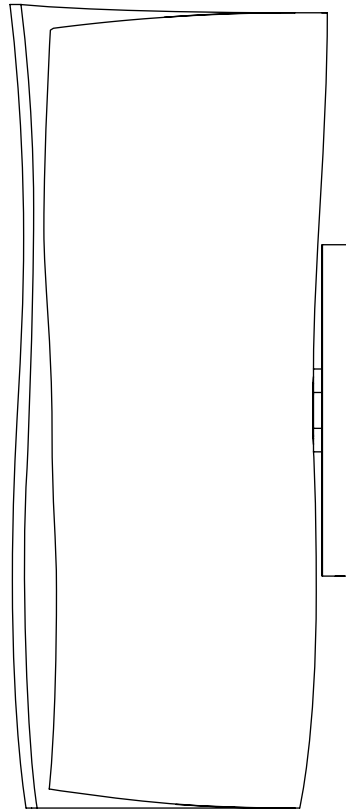


CONTENTS

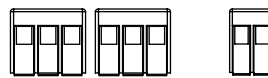
Thea Sconce



(x2) 8-32 J box Screw



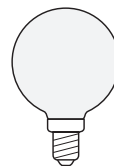
(x3) Wago Connectors



8-32 Set Screw



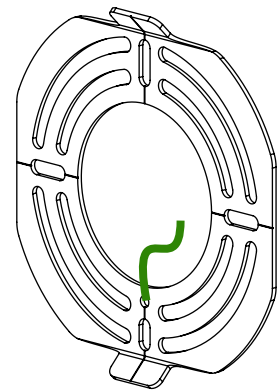
2x LED Bulbs
(120V or 240V)



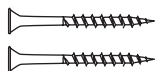
Hex Key



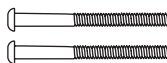
Crossbar with ground screw



(x2) Wood screws
On 240V fixtures only



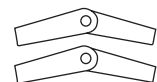
(x2) Long 8-32 screws
On 240V fixtures only



(x2) Metal screws
On 240V fixtures only



(x2) Toggle anchors
On 240V fixtures only



SAFETY INFORMATION

Only one light bulb per socket.

Only suitable for direct mounting on non-combustible surfaces.

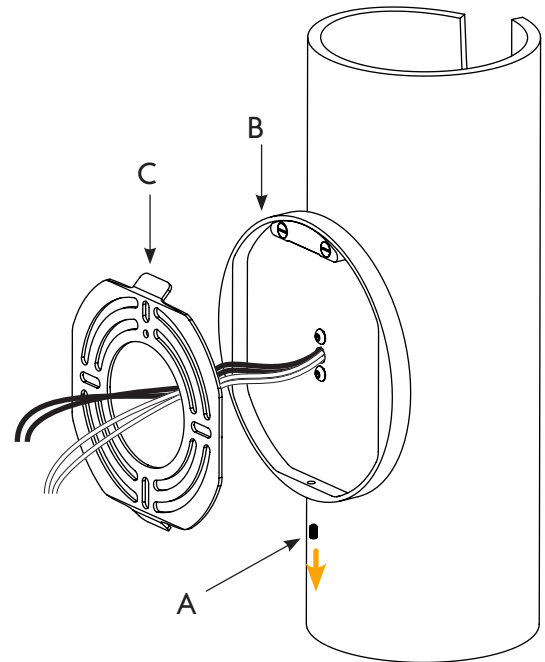
Under no circumstances can Thea Sconce be mounted on normally flammable surfaces.

Suitable for dry, indoor use only.

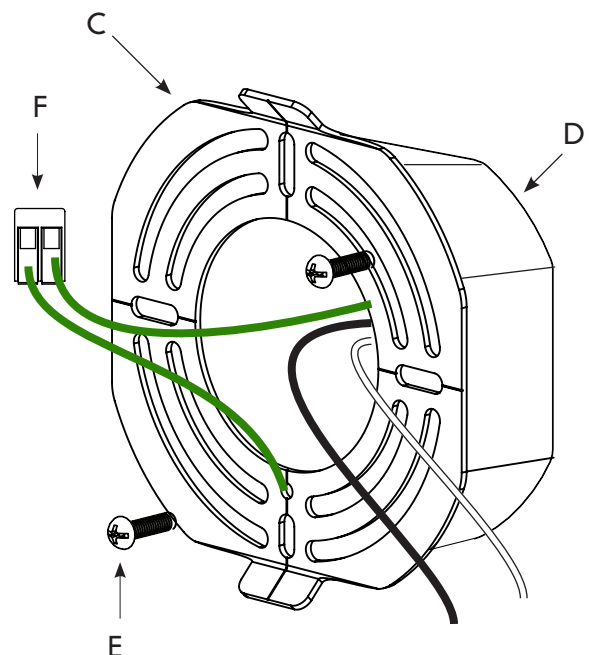
THEA SCONCE | INSTALLATION

Note: Please contact a licensed electrician.

1. Unscrew the set screw (A) on the back plate (B), to release the crossbar (C).



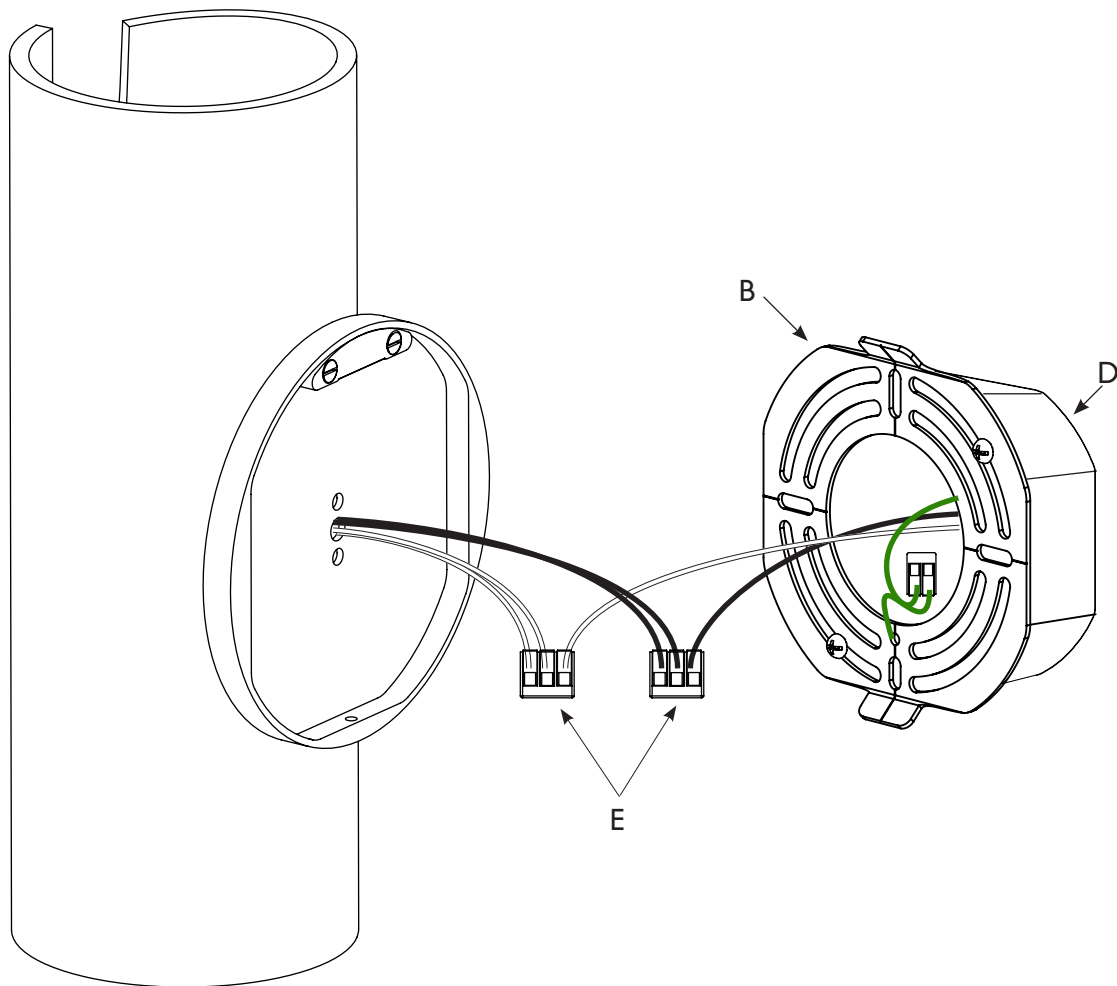
2. For 120V:
Secure the crossbar (B) to J-box (D) using the provided 2 screws (E).
3. For 240V:
Secure the crossbar (B) to J-box (D) with one of the appropriate screws from the 240V hardware kit.
4. Make the ground wire connection using the provided 2 port wago (F).



THEA SCNCE | INSTALLATION

Note: Please contact a licensed electrician.

05. Bring the fixture backplate (B) up to the Crossbar (C), make the lead wire connection (F) with the provided 3-port wagos.
06. Then tuck in all the wires inside the J-box.



THEA SCONCE | INSTALLATION

Note: Please contact a licensed electrician.

07. Hook the fixture backplate (B) onto the top cleat of the crossbar (C).
08. Using the hex key (G) secure the backplate with set screw (A).

