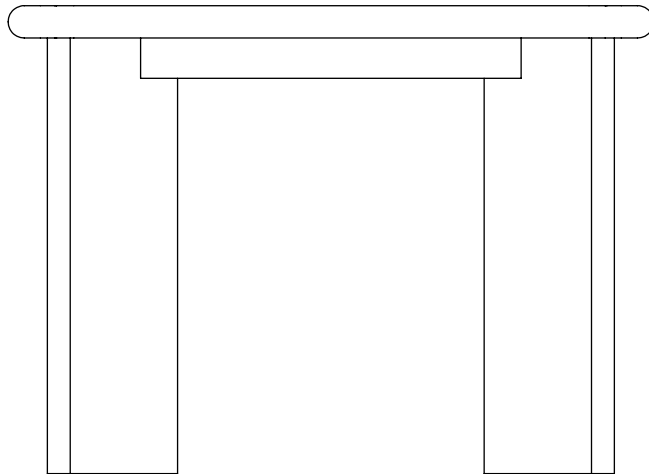


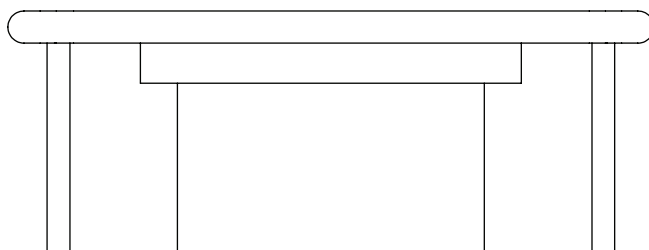
CONTENTS: Monroe 40"x40" Dining/Coffee Table

Monroe Dining Table 40"x40"



OR

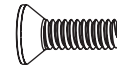
Monroe Coffee Table 40"x40"



(x4) Button head screws 1-1/4" long



(x32) Flat head screws 1/2" long



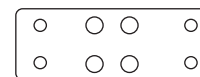
3/32 Allen Key



5/32 Allen Key



4x Attachment plates



SAFETY INFORMATION

Save these instructions.

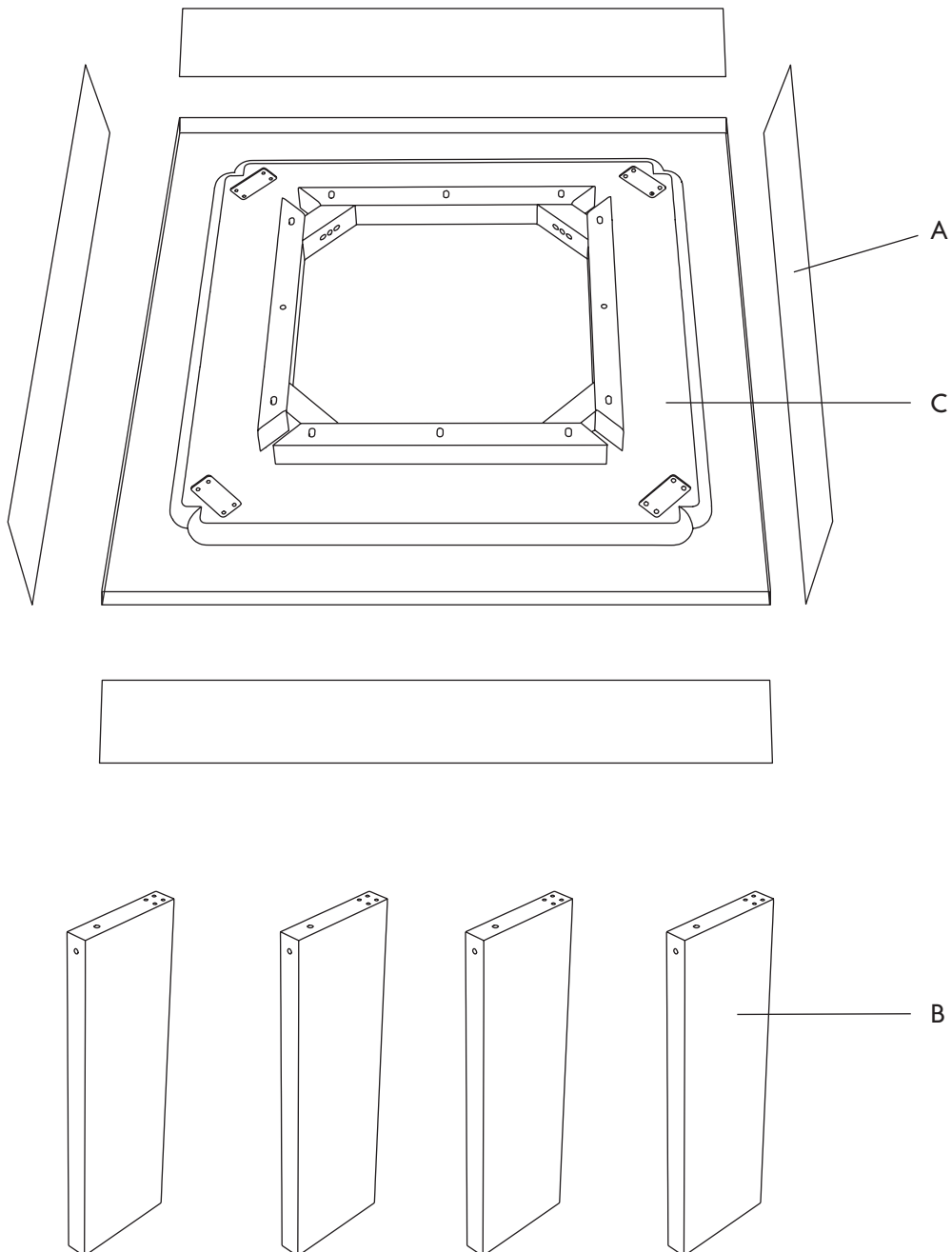
2 persons needed for full assembly.

Clear surrounding area of any sharp objects that may damage the product.

We have taken great care in the design of this product and request that you carefully and strictly follow our installation instructions to ensure a completed product as it was designed

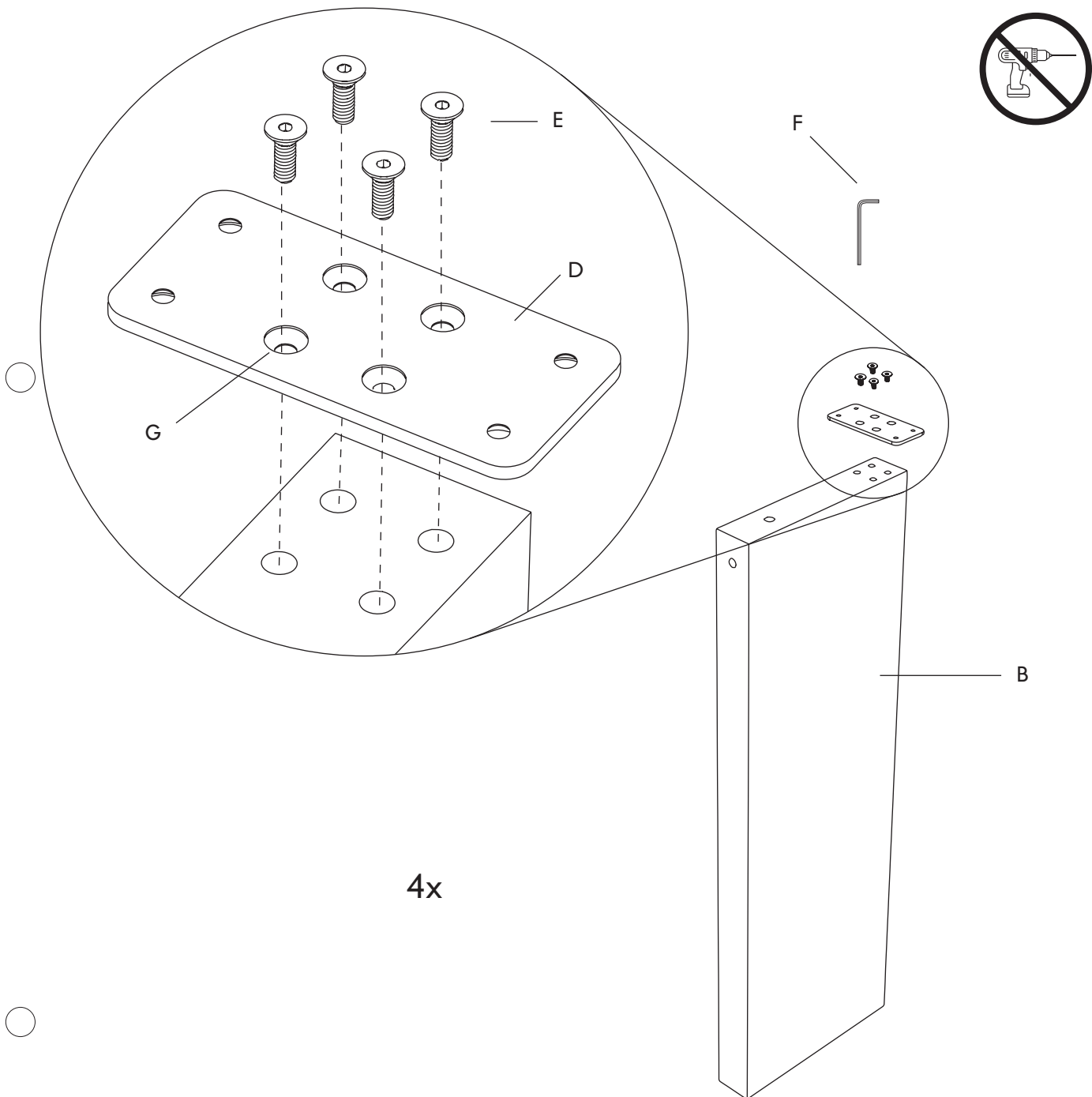
Monroe Dining/Coffee Table 40"x40" Assembly Instructions

1. Unpack the box by removing the top lid and the four sides (A).
2. Unwrap the four wood legs (B) and hardware, and set them aside.
- Dining table legs length 27" / Coffee table legs 13"
3. Leave the table top (C) upside down in the box until fully assembled.
4. Remove the packing material, so only the table top is left on the base of the box.



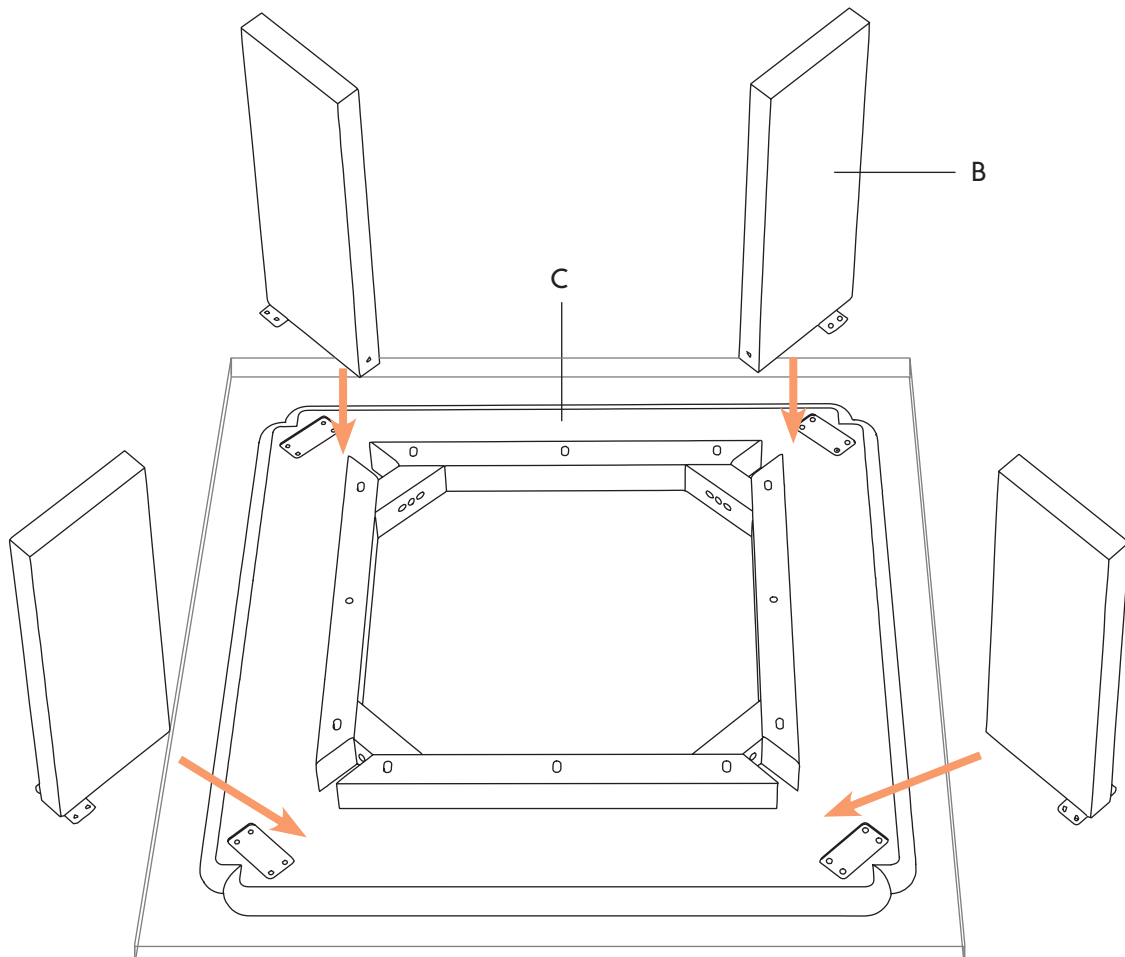
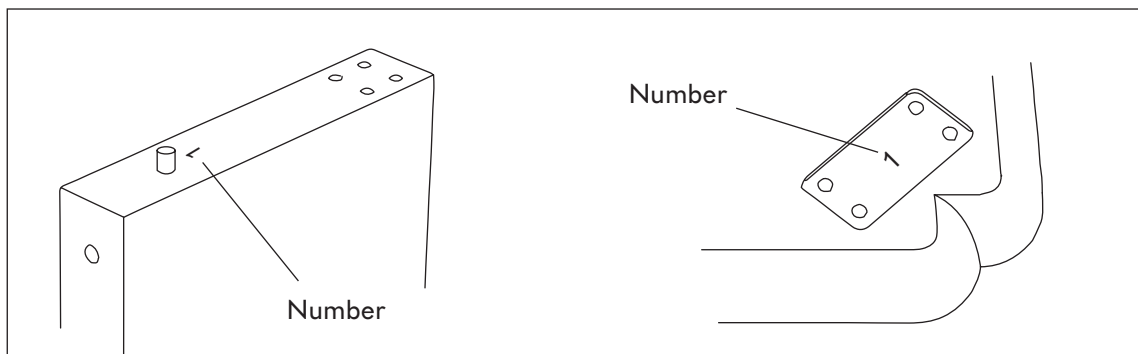
Monroe Dining Table 40"x40" Assembly Instructions

- Secure one attachment plate (D) to each of the four wooden legs (B), with 1/2" flat head screws (E), using the 3/32 Allen key.
- Be sure the four middle countersinks (F) for the screws on the attachment plates are facing up.



Monroe Dining Table 40"x40" Assembly Instructions

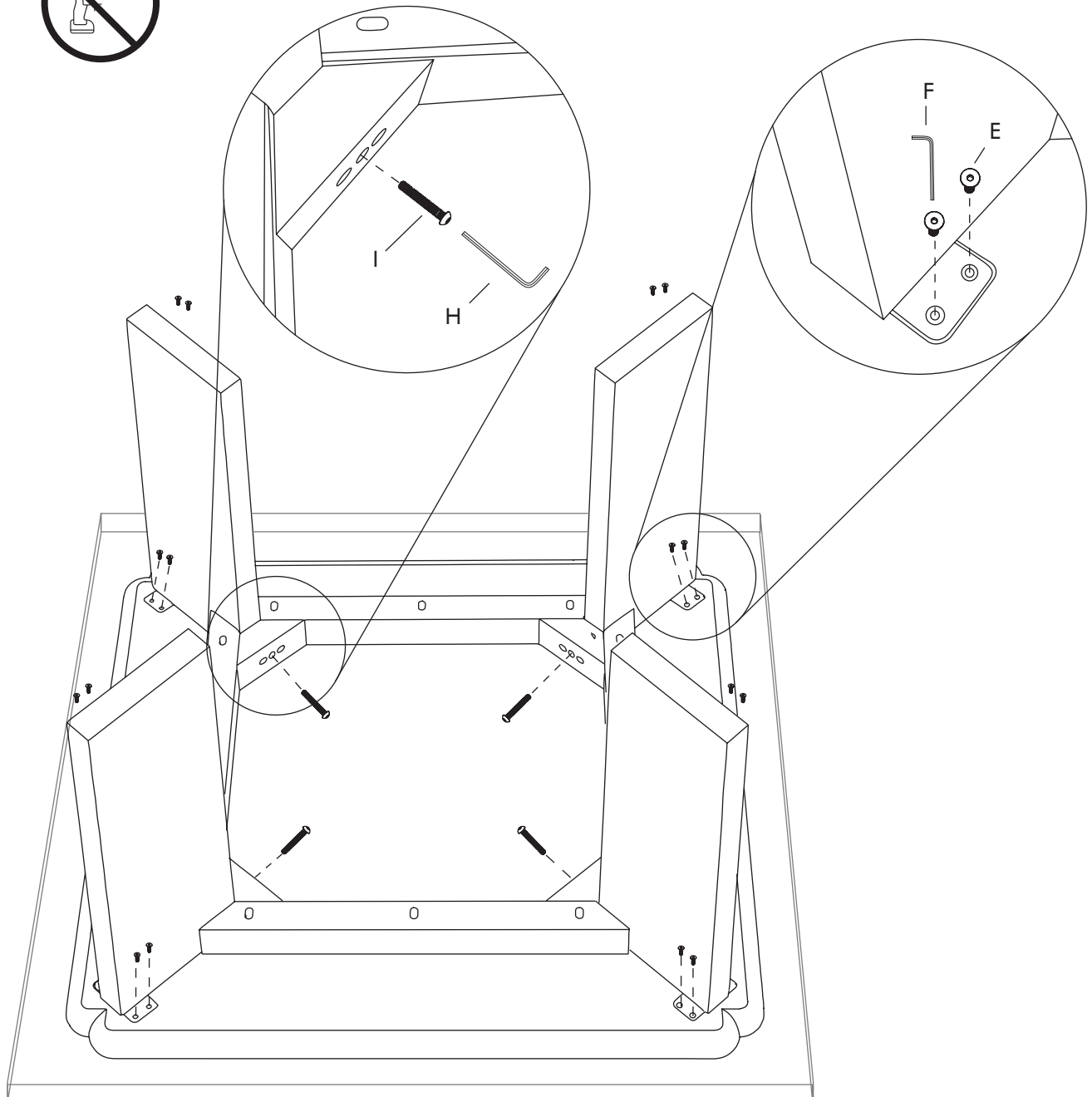
- Use the (number) stamped at the top of the wooden legs, to find the corresponding (number) stamped on the pocket of the tabletop.
- Then fit the wooden legs (B) into their slots on the tabletop (C). 1 to 1, 2 to 2, 3 to 3, and 4 to 4.



Monroe Dining Table 40"x40" Assembly Instructions

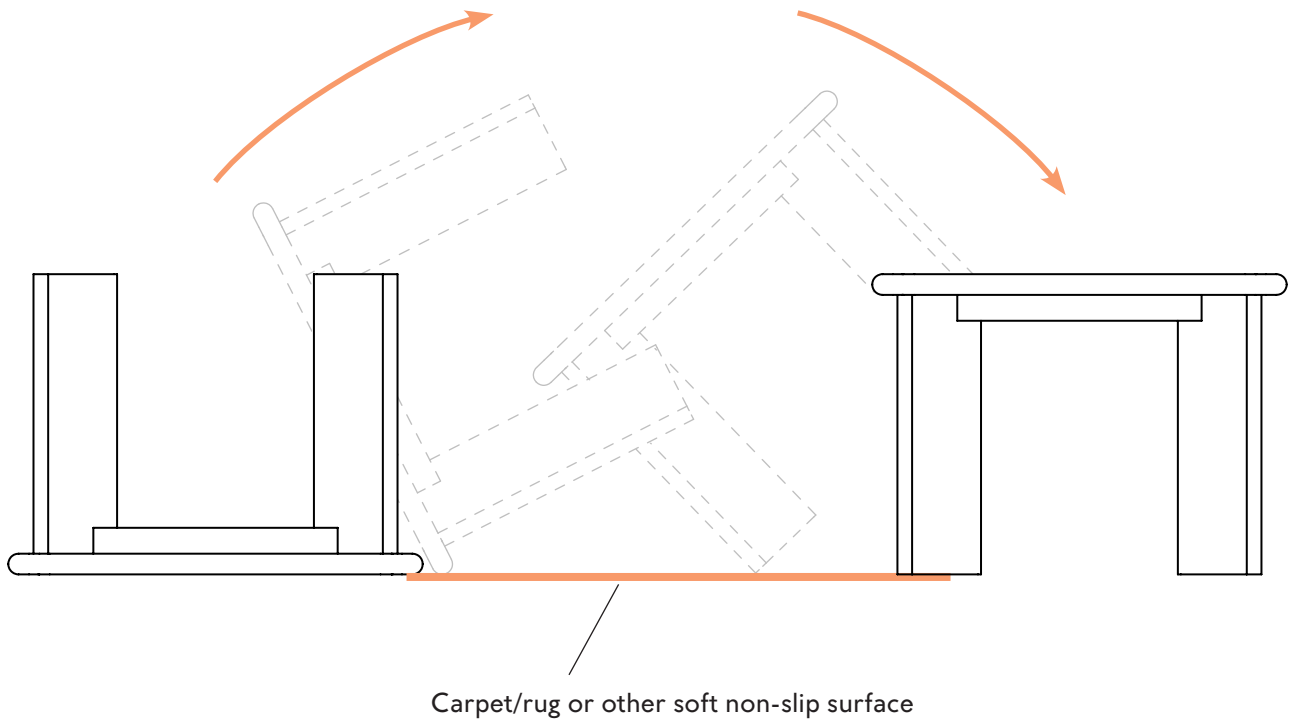
- Secure each wooden leg with 4x 1/2" flat head screws (E), using a 3/32 Allen Key (F).
- Then use a 5/32 Allen Key (H) to screw in four button head screws 1-1/4" long (I) into the side corner block of each wood leg.

Note: The table is fully assembled now. Ask a helper for the final step.



Monroe Dining Table 40"x40" Assembly Instructions

11. To avoid damaging the table and flooring, its highly recommended to flip the table right side up over a large carpet/rug, or other soft non-slip surface.



OR

