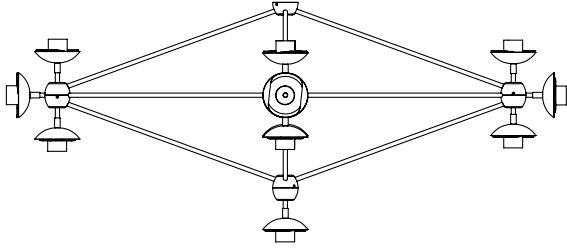
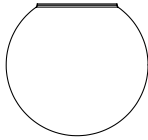



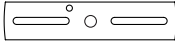


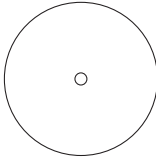



CONTENTS

<p>Modo Diamond - 13 Globes</p> 		<p>Globes (13)</p> 	<p>Stem and Top Hub</p> 
<p>8-32 Screws (2)</p> 	<p>6-32 Socket Screws (2)</p> 	<p>Crossbar</p> 	
<p>Bulbs (13)</p>  <p>120V LED G25 E26 (bulbs included)</p> <p>240V LED G25 E27 (bulbs included)</p>	<p>7-64 Allen Key</p> 	<p>Canopy</p> 	<p>Wago Connector (2)</p> 

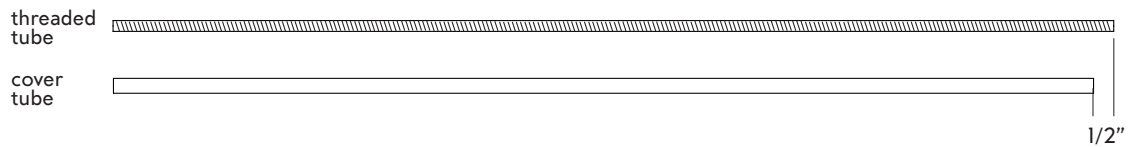
SAFETY INFORMATION

Only one light bulb per socket.
 Only suitable for direct mounting on non-combustible surfaces.
 Under no circumstances can Modo Chandeliers be mounted on normally flammable surfaces.
 Suitable for dry, indoor use only.
 Maximum ambient temperatures: 25° C

CEILING INSTALLATION | MODO

*Note: Please contact a licensed electrician.
Note: Do not use bulbs that exceed 25 watts.*

1. To customize the length of the provided 36-inch stem, cut cover tube to desired length. Then cut the inner threaded tube so that it remains 1/2" longer than the cover tube.

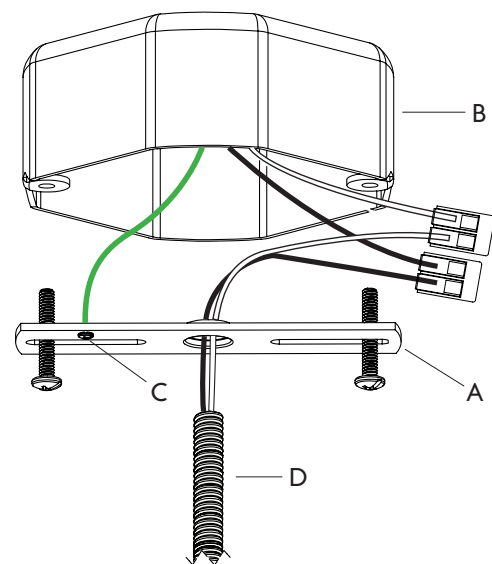


2. Install the crossbar (A) using #8-32 screws to junction box (B) in ceiling.

3. Attach the green ground wire to the crossbar with ground screw (C).

4. Once the crossbar is secure, screw the threaded inner tube (D) a quarter inch into the center hole. Feed the wires from the bottom of the threaded tube into the junction box, strip wires, and make electrical connections.

5. Conceal wires and connections inside junction box.



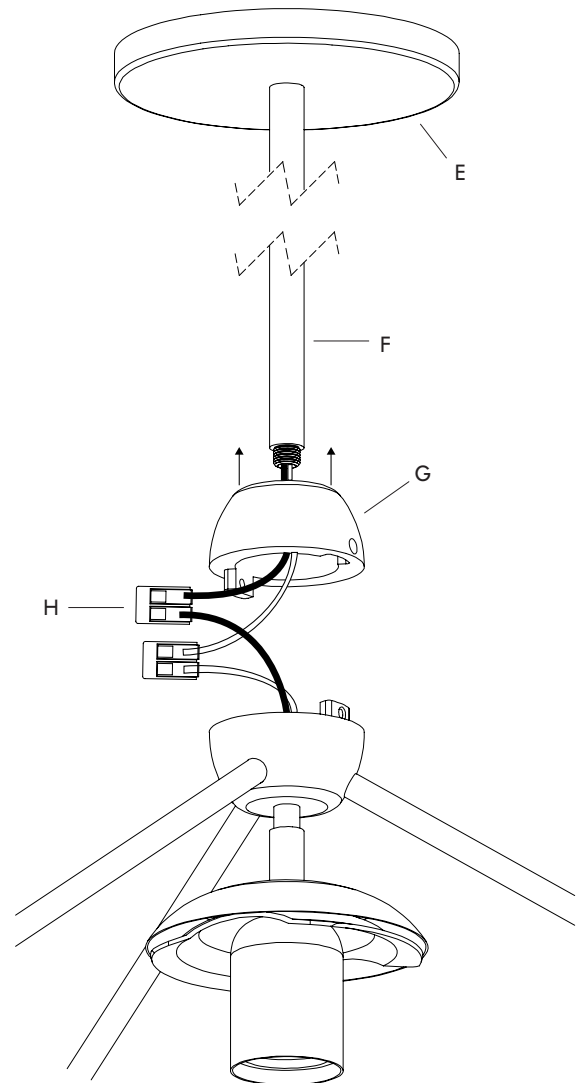
CEILING INSTALLATION | MODO

6. Slide the canopy (E) up the threaded tube to the ceiling, followed by the cover tube (F).

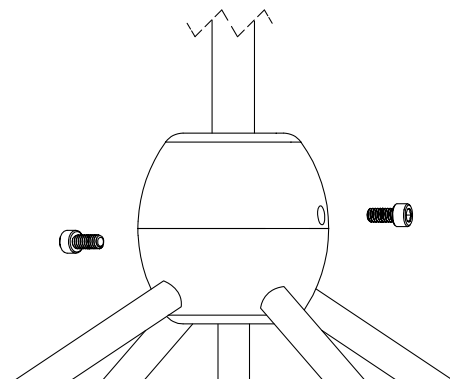
7. Screw the half hub (G) onto the bottom of the all-thread rod. This will tighten the canopy flush to the ceiling.

8. Carefully lift the fixture so that the two half-hubs align. Cut excess wire, strip ends, and make electrical connections between the stem and the fixture (H). Tuck wire nuts and wires inside the hub and close.

Note: This step requires two people.

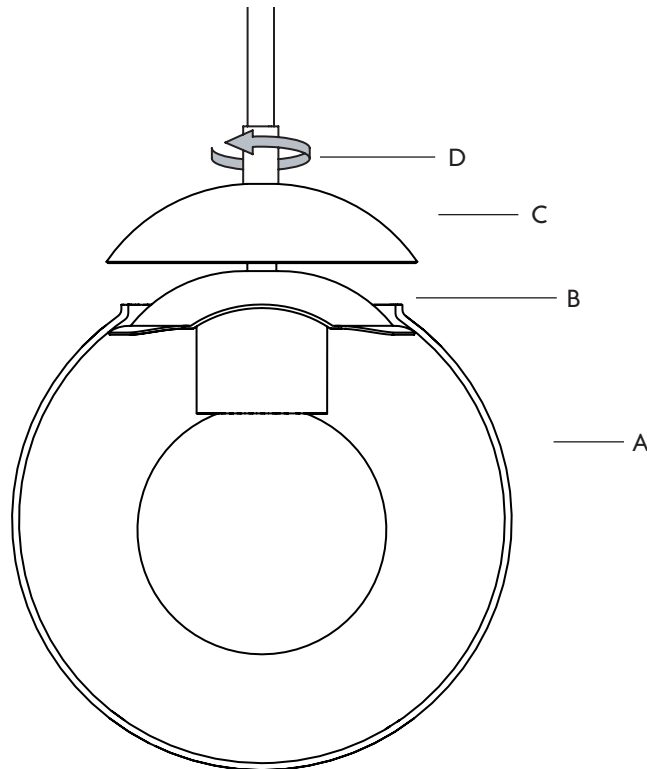


9. Secure the two half hubs together using a hex key and the provided #6-32 socket screws on either side.



INSTALLATION | ATTACHING MODO GLOBES

1. Sandwich the glass globe (A) around the socket fitter (B) and cap (C). Gently tighten the sleeve (D) to hold the globe in place.



SAFETY INFORMATION

Suitable for dry, indoor use only.

Maximum ambient temperature: 25°C

If the external flexible cable or cord of this luminaire is damaged, it shall be exclusively replaced by Roll & Hill or Roll & Hill's service agent or a similarly qualified person in order to avoid hazard.

The light source contained in this luminaire shall only be replaced by the manufacturer or his service agent or a similar qualified person.