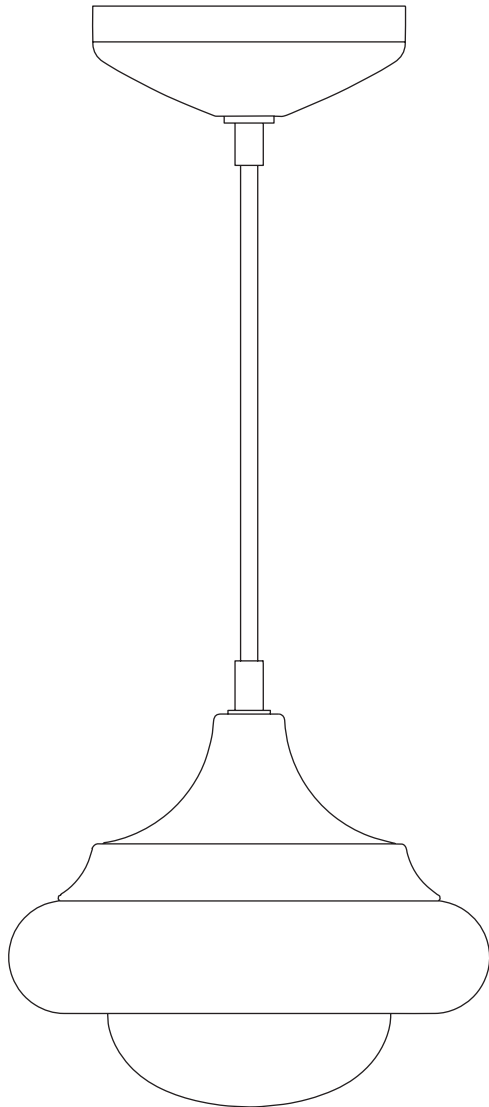


CONTENTS

Humboldt Lighting Assembly



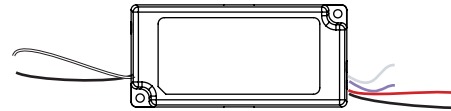
(x2) 8-32 Screw



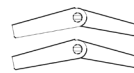
(x7) Wago Connector



(x1) Driver



(x2) Toggle anchor
On 240V fixtures only



(x2) Wood screw
On 240V fixtures only



(x2) Long 8-32 screw
On 240V fixtures only



(x2) Metal screw
On 240V fixtures only



SAFETY INFORMATION

Suitable for damp locations
Maximum ambient temperature: 25°C

Humboldt Pendant 02 | INSTALLATION

Cord length adjustment

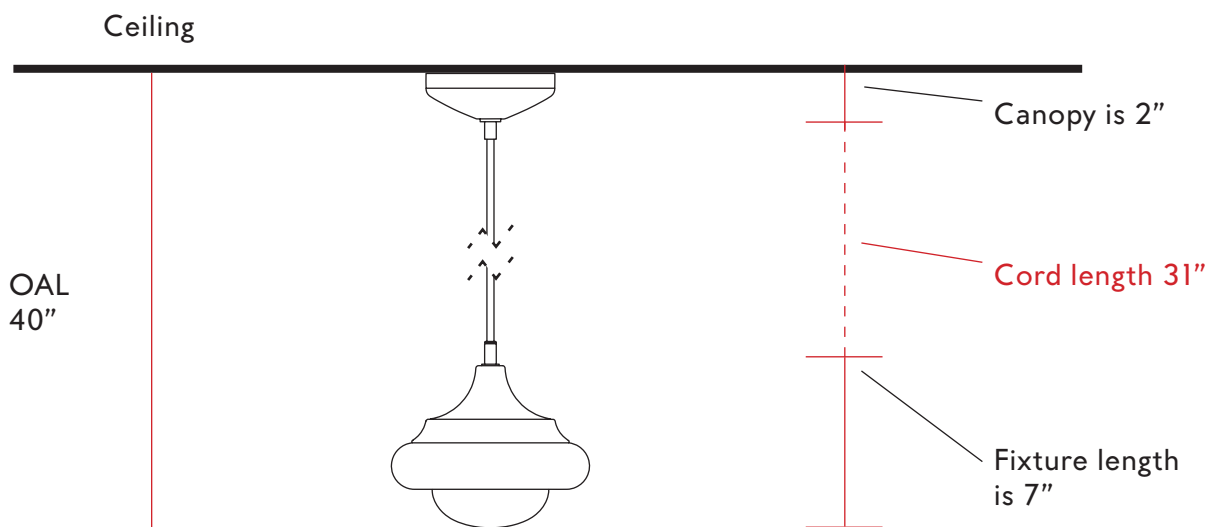
Note: Please contact a licensed electrician.

Example fixture only:

To measure length of cord, first determine overall length (OAL), subtract 2" for the canopy height and subtract the fixture height from the OAL. Fixture height is measured from bottom of the fixture to stem connection point. The resulting measurement is the final stem length.

Ex. The fixture below has an OAL of 40" and a fixture height of 7".
 $40'' \text{ OAL} - 2'' \text{ canopy} - 7'' \text{ fixture height} = 31'' \text{ cord}$

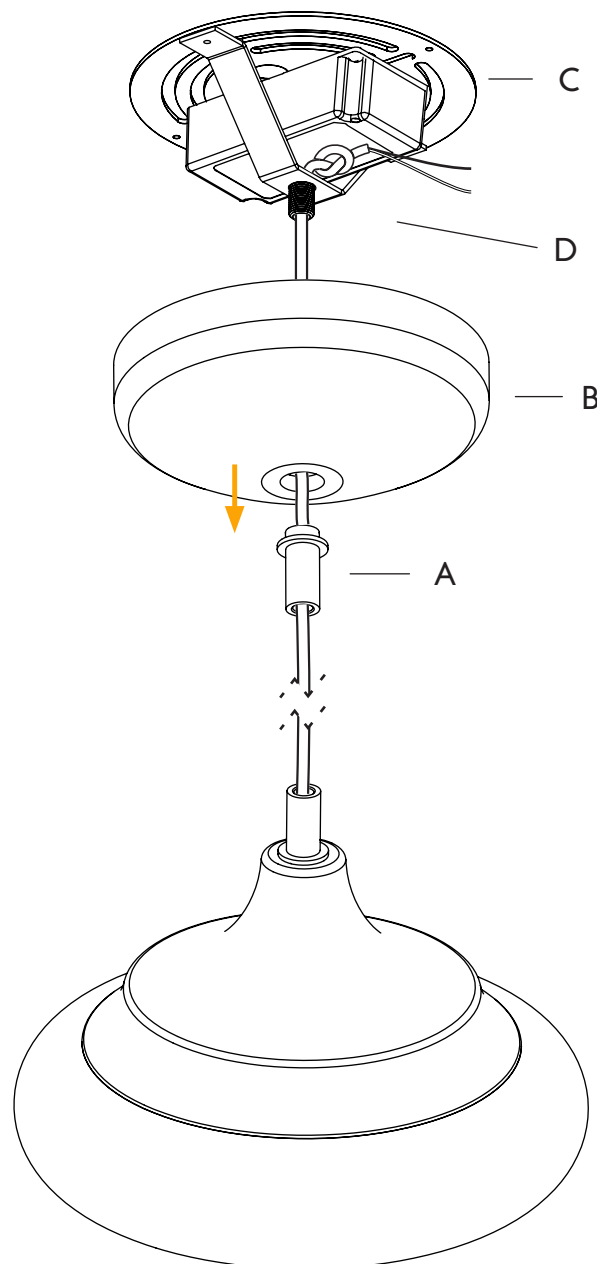
Note: leave extra 6" cord length to pass through the canopy and make the wire connection.



Humboldt Pendant 02 | INSTALLATION

Note: Please contact a licensed electrician for installation. Ensure power is off during installation.

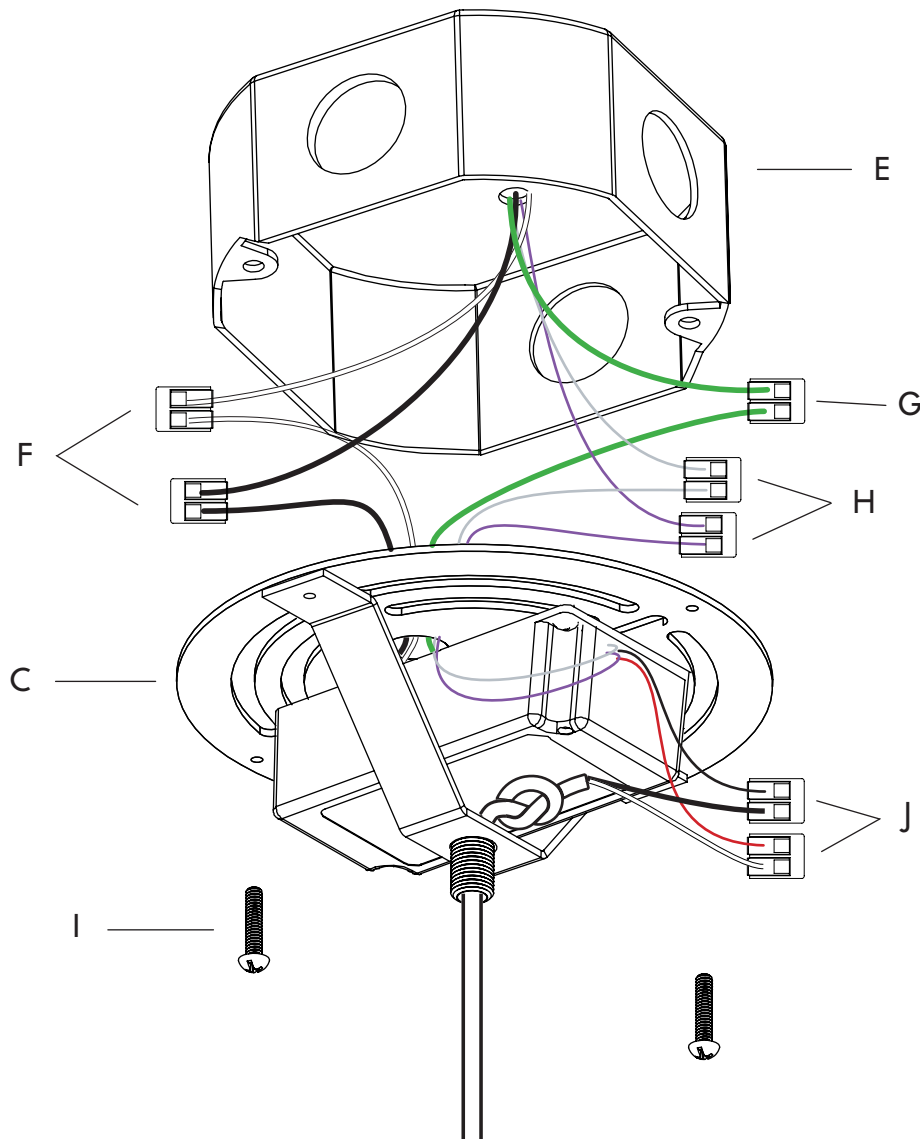
01. Unscrew the canopy nut (A) from the canopy (B), to release the crossbar (C), and slide the canopy nut and canopy, down the cord.
02. Adjust the length of the cord to the desired OAL drop, and leave about 6" of cord in the canopy to make the necessary electrical connection. Then tie a knot to prevent the cord from pulling out.



Humboldt Pendant 02 | INSTALLATION

Note: Please contact a licensed electrician for installation. Ensure power is off during installation.

03. Raise the crossbar assembly (C) to the J-box (E), and make the main electrical connection (F) with the provided 2-port wago. Then ground connection (G) with provided 2-port wago.
04. Optional: make the dimming wire connection (H) with the provided 2-port wago.
05. Tuck the wires inside J-box, and secure the crossbar to J-box with two 8-32 screws (I).
06. Make the low voltage wire connection (J) with the provided 2-port wago.



Humboldt Pendant 02 | INSTALLATION

Note: Please contact a licensed electrician for installation. Ensure power is off during installation.

07. Raise the canopy (B) over the crossbar, make sure not to pinch any wires, and secure it with a canopy nut (A).

