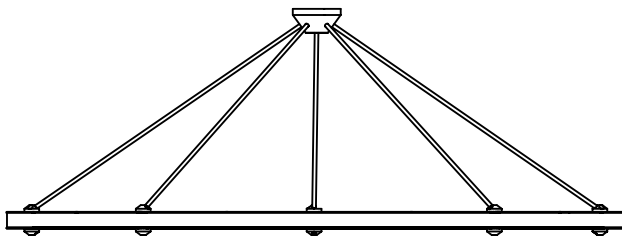


## CONTENTS

---

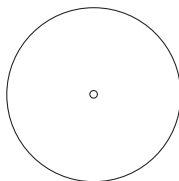
Halo Pendant 42



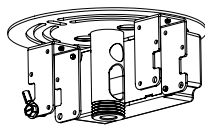
Stem and 1/8 IPS  
Threaded Rod



Canopy Assembly



Crossbar Assembly



Wire Connectors (5)



8-32 Crossbar  
Screws (2)



## SAFETY INFORMATION

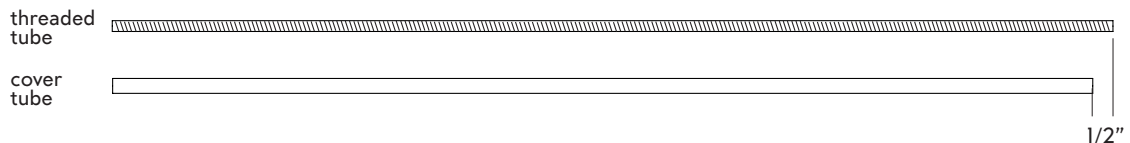
---

Only suitable for direct mounting on non-combustible surfaces.  
Under no circumstances can Halo Chandeliers be mounted on normally flammable surfaces.  
Suitable for dry, indoor use only.  
Maximum ambient temperatures: 25° C

## HALO | CEILING INSTALLATION

*Note: Please contact a licensed electrician.*

1. To customize the length of the provided 36-inch stem, cut cover tube to desired length. Then cut the inner threaded tube so that it remains 1/2" longer than the cover tube.



2. Install the crossbar assembly using #8-32 screws to junction box (C) in ceiling. Pull the lead wires through the center hole in order to make lead connections.

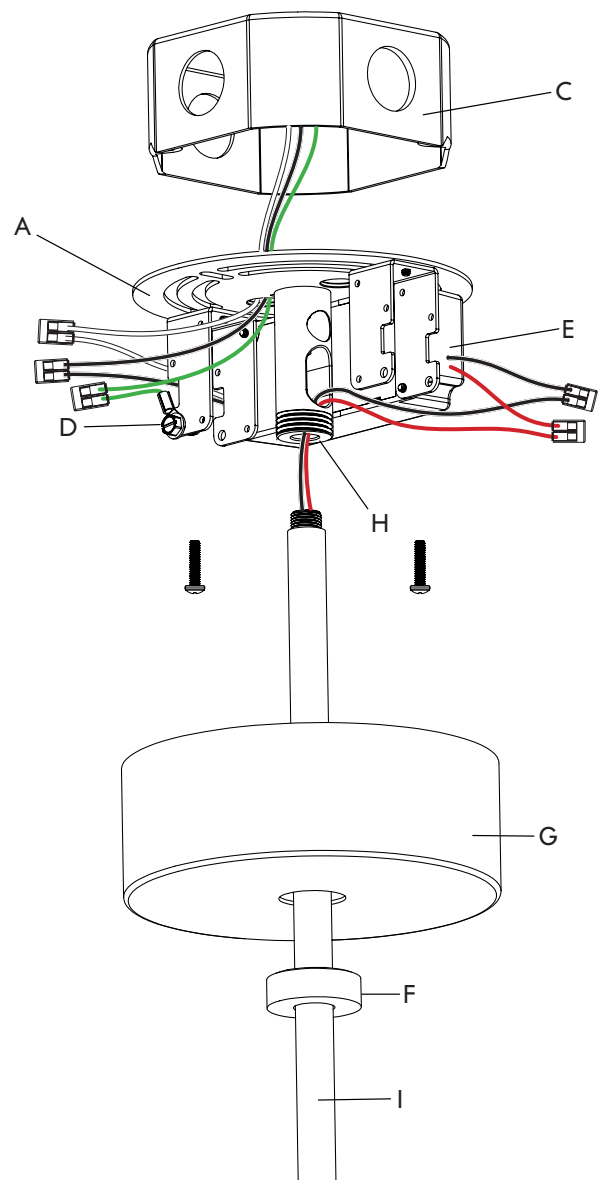
3. Attach the green ground wire to the crossbar with ground screw (D).

4. Make wire connections between junction box leads and the LED driver (E).

5. Slide hangstraight nut (F) and canopy (G) down cover tube and screw inner threaded tube into hangstraight (H).

6. Feed fixture lead wires from the driver assembly down through the cover tube (I).

7. Raise canopy and hangstraight nut to ceiling and tighten nut around hangstraight. This will tighten canopy flush to ceiling. Make sure to conceal wires and connections inside canopy.



## HALO | CEILING INSTALLATION

---

*Note: This step requires two people.*

8. Separate hub (G) and hub cap (H) by removing five machine screws. Run wires through threaded stem and cover tube and attach to canopy.

9. Carefully lift the fixture so that the hub and cap align. Cut excess wire, strip ends, and make electrical connections between the stem and the fixture. Tuck wire nuts and wires inside the hub and close.

10. Secure the plate and hub back together using same five machine screws.

