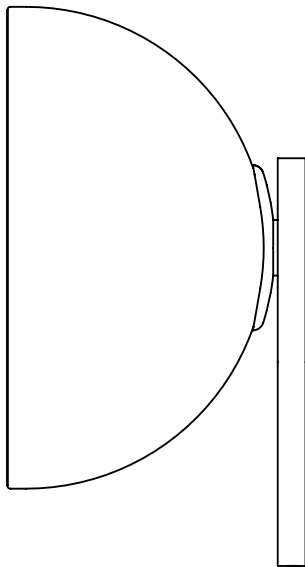


CONTENTS

Geode Assembly



(x2) 8-32 J box Screw



(x4) Wago Connector 2



8-32 Set Screw



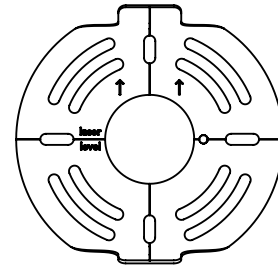
Wago Connector 3



Hex Key



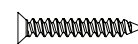
Crossbar with driver box attached



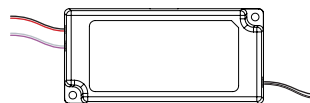
(x2) Flat Head Machine Screws



(x2) Flat Head Wood Screws



LED driver



SAFETY INFORMATION

Suitable for dry, indoor use only.

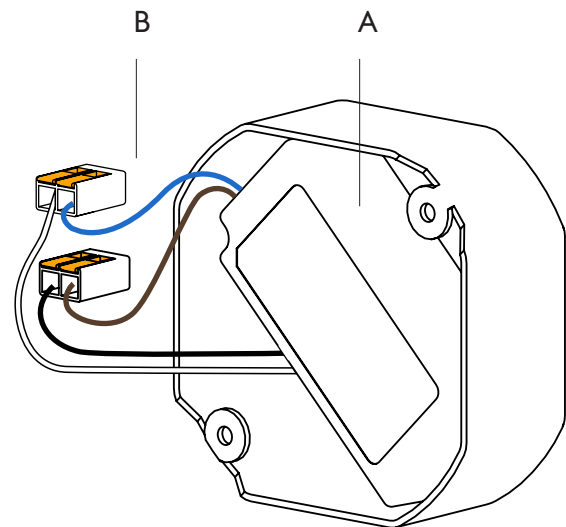
Maximum ambient temperature: 25°C

The light source contained in this luminaire shall only be replaced by the manufacturer or his service agent or a similar qualified person.

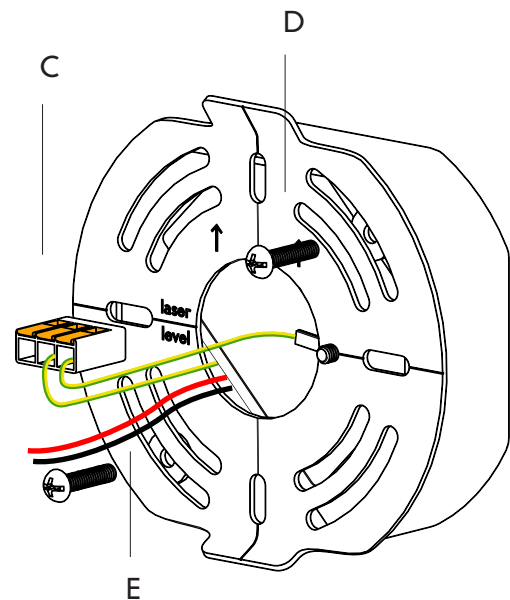
GEODE | 120V INSTALLATION

Note: Please contact a licensed electrician.

1. Install the driver (A) into the junction box and make the live wire connections (B) to the driver using the wago connectors.



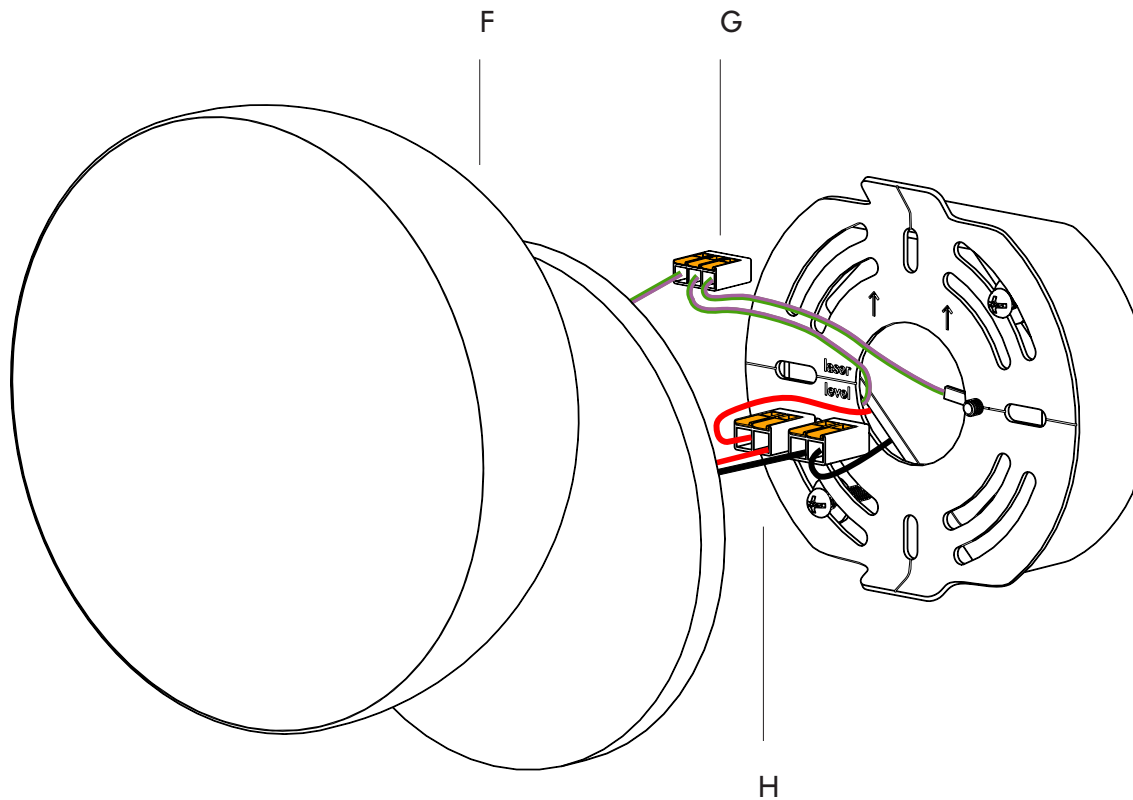
2. Ground the crossbar to the junction box using the wago connector (C). Mount the crossbar to the junction box using the provided 8-32 screws (D).



3. Pull the output driver wires (E).

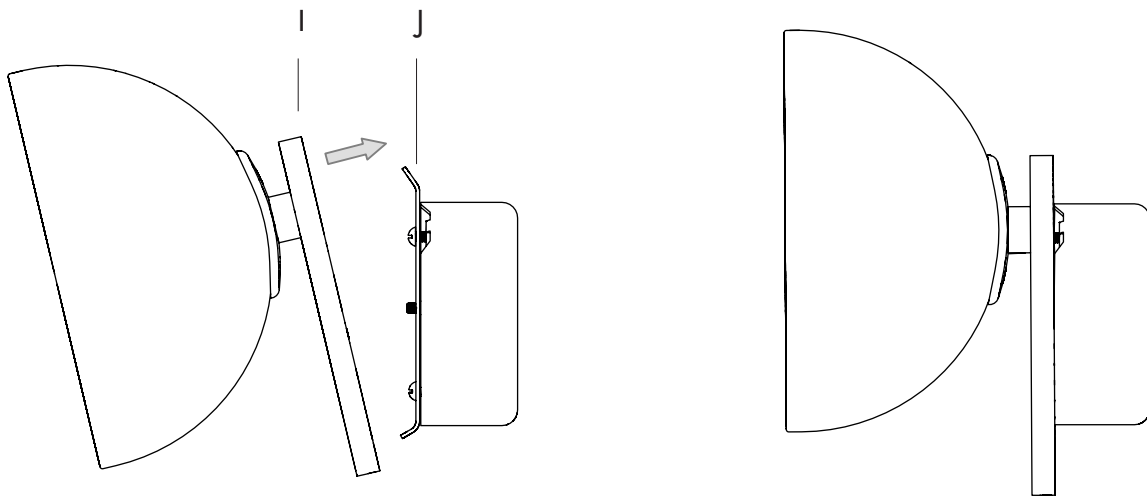
GEODE | 120V INSTALLATION

4. Carefully hold the fixture assembly (F) up to the junction box . Ground the fixture using the wago connector (G). Make the wire connections between the driver wires and the fixture wires (H).

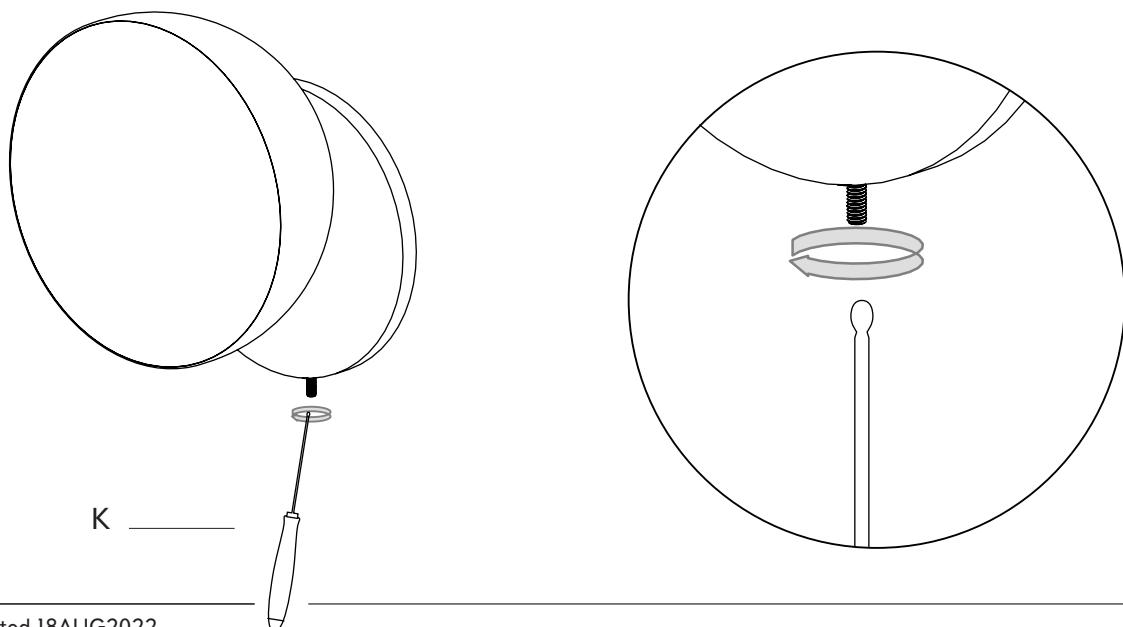


GEODE | 120V INSTALLATION

5. Tuck all the wire connections inside the junction box and hook the fixture backplate (I) onto the french cleat of the crossbar (J).

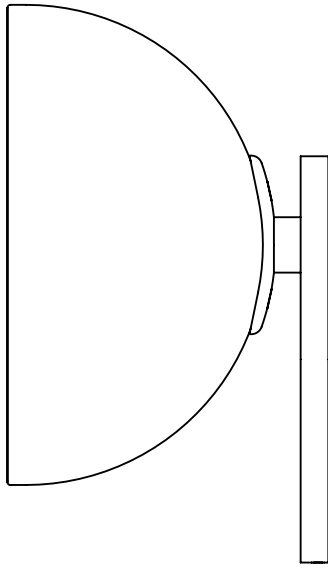


6. Once the fixture assembly is resting in place, use the provided Hex Key (K) to tight the bottom set screw to the crossbar until the backplate is secured.



CONTENTS

Geode Assembly



(x4) 8-32 Screws



(x4) Wago Connector 2



8-32 Set Screw



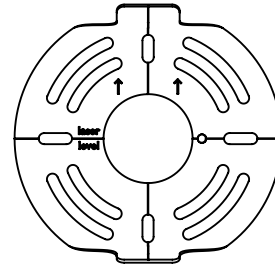
Wago Connector 3



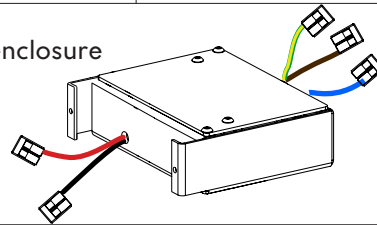
Hex Key



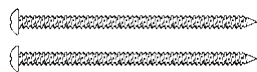
Crossbar



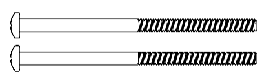
240V driver enclosure



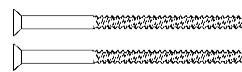
240V screw kit



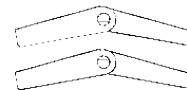
3" #8 wood screws



3" 8-32 pan head screws



3" 18-8 machine screws



8-32 Toggle
Wing Anchor

SAFETY INFORMATION

Suitable for dry, indoor use only.

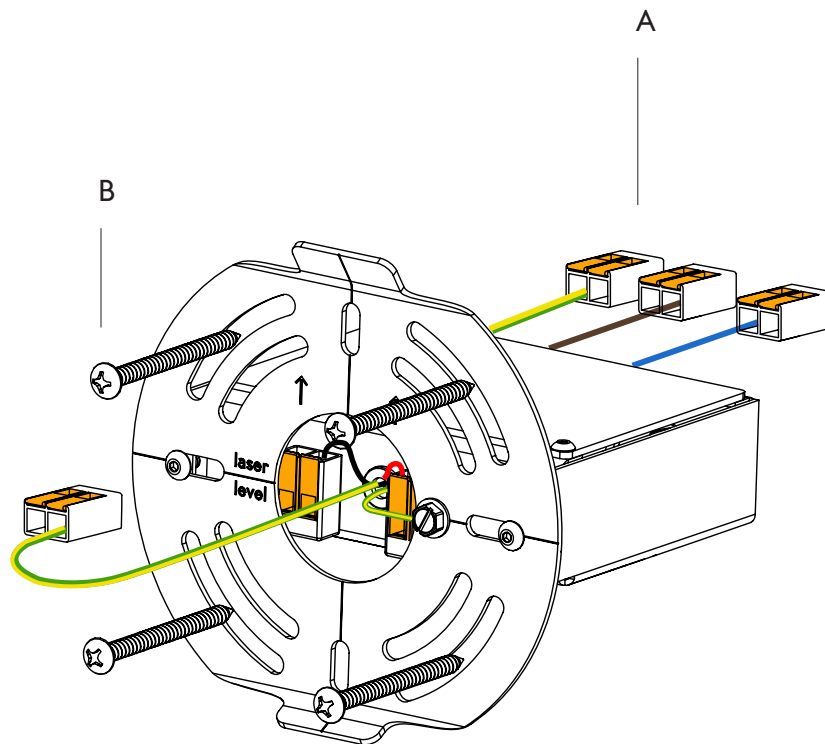
Maximum ambient temperature: 25°C

The light source contained in this luminaire shall only be replaced by the manufacturer or his service agent or a similar qualified person.

GEODE | 240V INSTALLATION

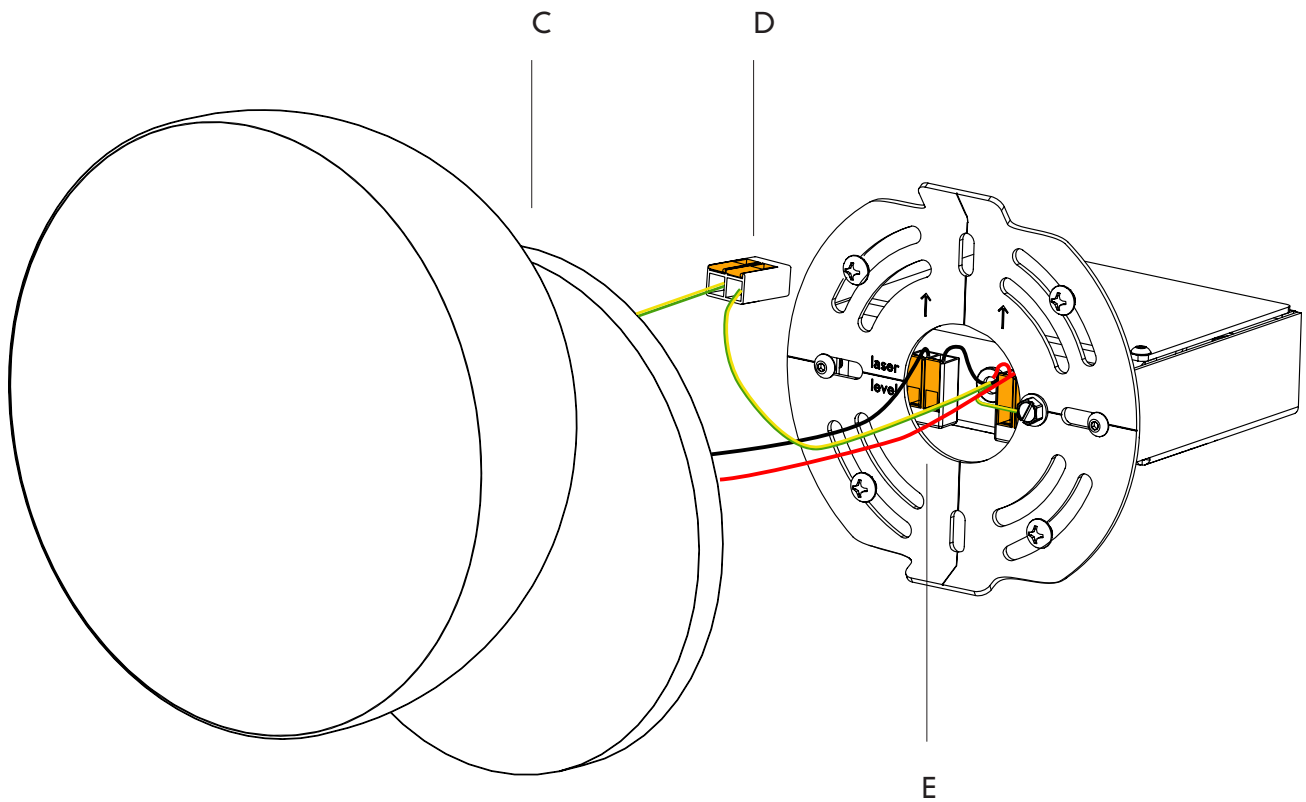
Note: Please contact a licensed electrician.

1. Ground the crossbar assembly through the back of the driver box using the wago connector (A).
2. Mount the crossbar to the junction box using the provided 8-32 screws (B).



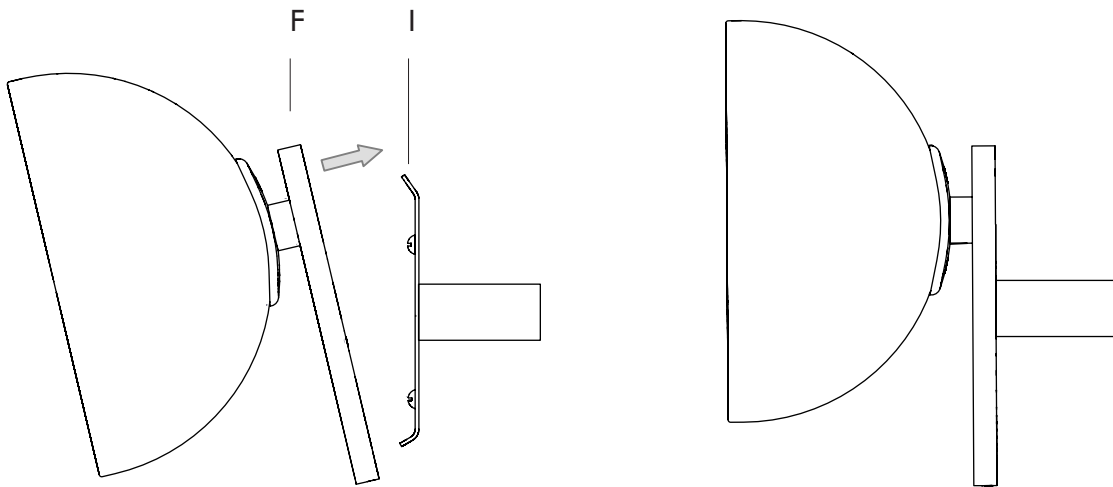
GEODE | 240V INSTALLATION

3. Carefully hold the fixture assembly (C) up to the crossbar . Ground the fixture using the wago connector (D). Make the wire connections between the driver wires and the fixture wires (E).



GEODE | 240V INSTALLATION

4. Tuck all the wire connections inside the junction box and hook the fixture backplate (F) onto the french cleat of the crossbar (I).



5. Once the fixture assembly is resting in place, use the provided Hex Key (G) to tight the bottom set screw to the crossbar until the backplate is secured.

