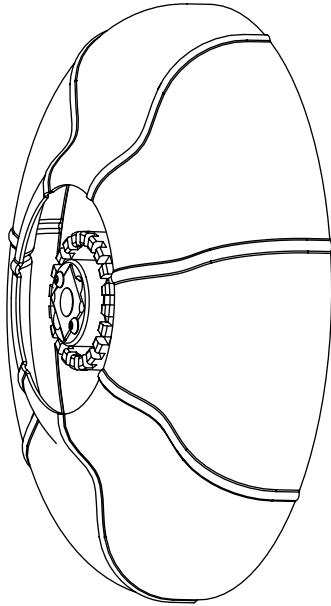
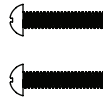


CONTENTS

Epoch Sconce (120V/240V)



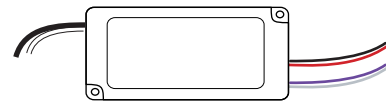
(x2) 8-32 J box Screw



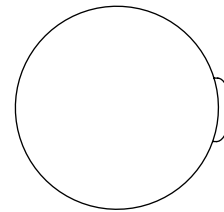
(x7) Wago Connectors



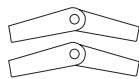
Driver



Glass diffuser



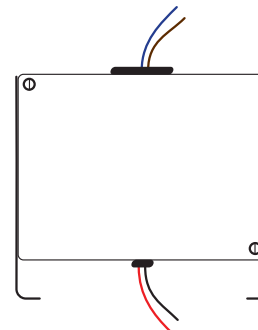
(x4) Toggle anchor
(240V only)



(x4) Metal screw
(240V only)



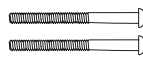
Driver Box
(240V only)



(x4) Wood screw
(240V only)



(x4) Long 8-32 screw
(240V only)



SAFETY INFORMATION

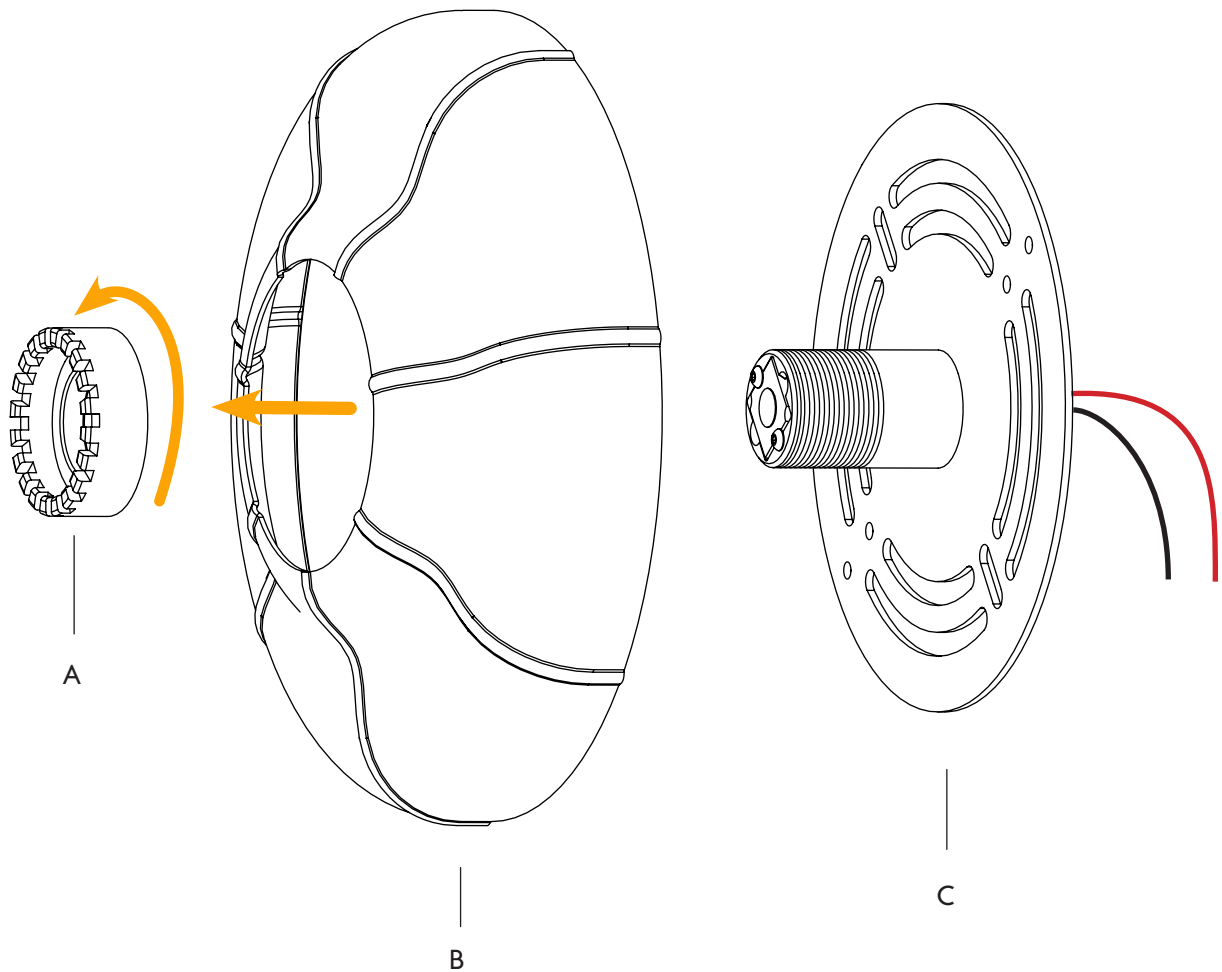
Maximum ambient temperature: 25°C

The light source contained in this luminaire shall only be replaced by the manufacturer or his service agent or a similar qualified person.

EPOCH SCONCE (120V) | INSTALLATION

Note: Please contact a licensed electrician.

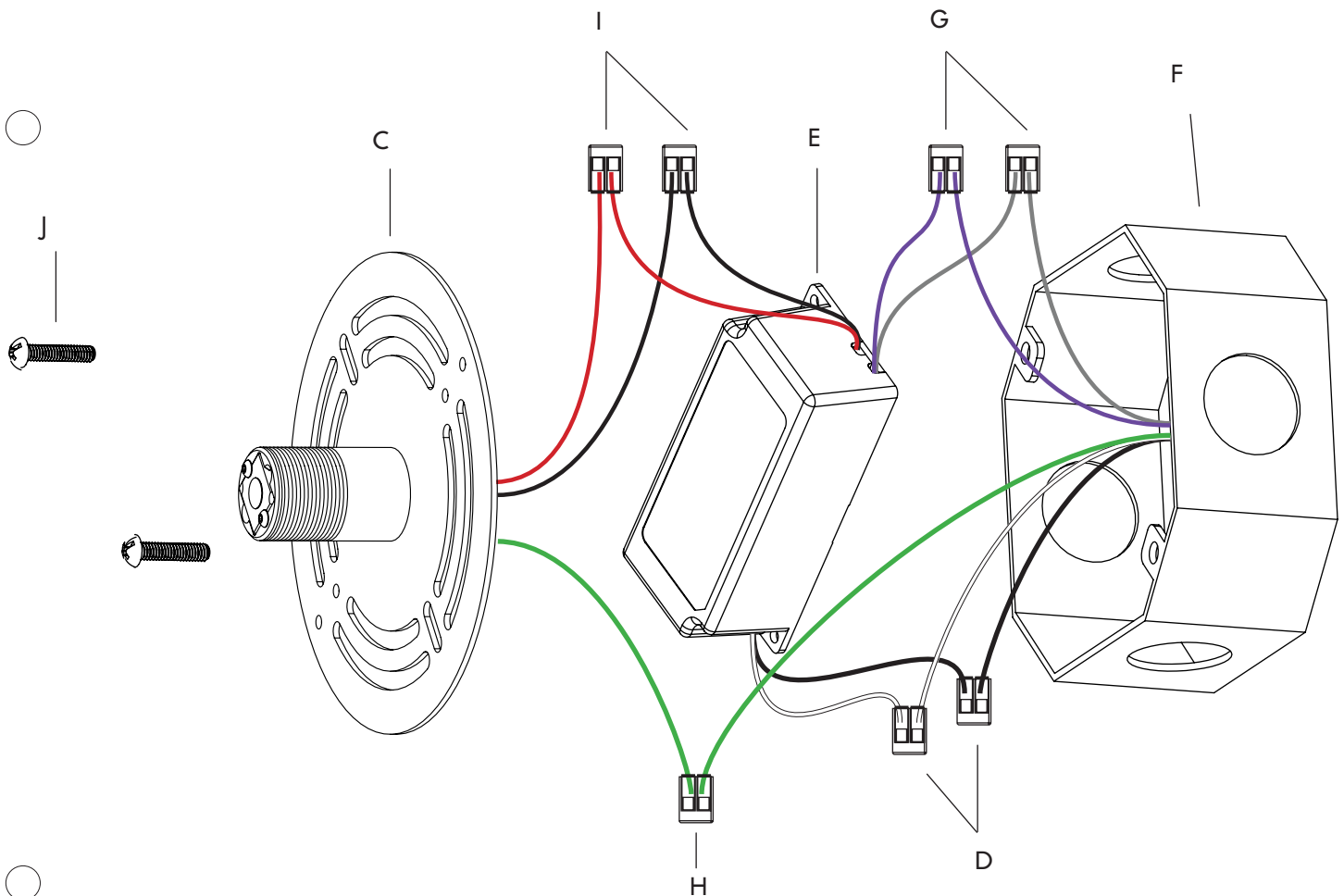
01. Unscrew the surface collar (A) from the sconce body (B) to release the LED crossbar assembly (C).



EPOCH SCONCE (120V) | INSTALLATION

Note: Please contact a licensed electrician.

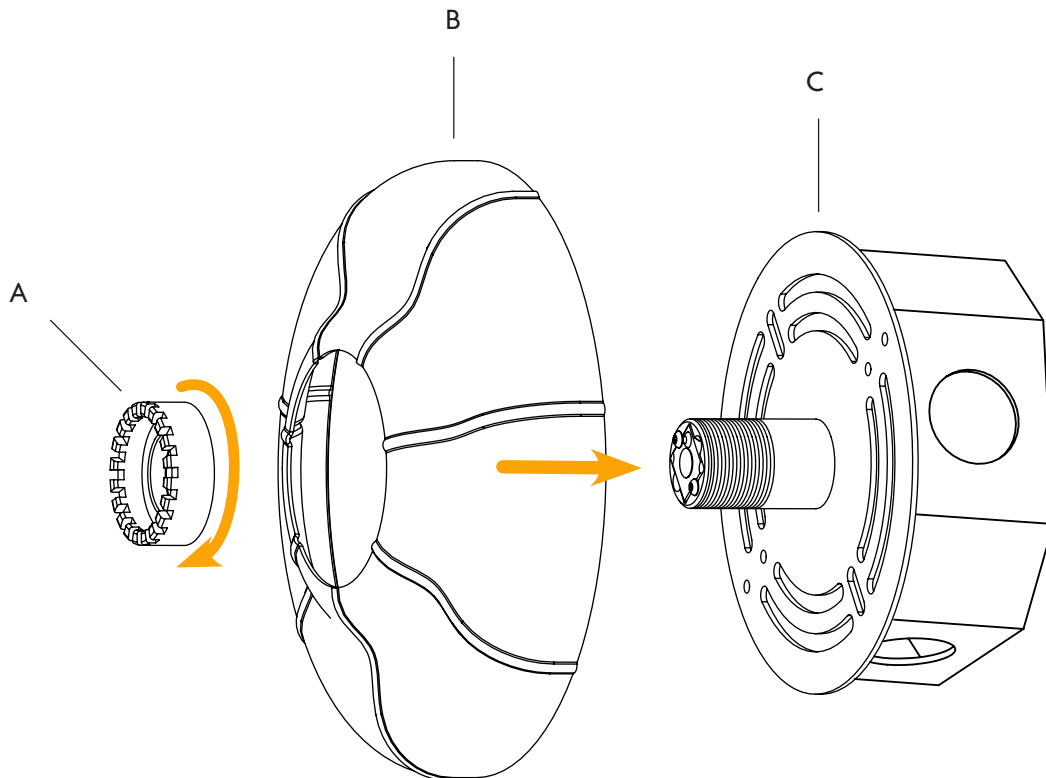
02. Connect the lead power wires with the provided 2-port wagos (D), from the LED driver (E) and J-box (F).
03. Optional: make the dimming wire connection with the provided 2-port wagos (G).
04. Make the Ground wire connection from the LED crossbar assembly (C) and J-box (F), with the provided 2-port wagos (H).
05. Make the low voltage wire connection from LED crossbar assembly (C) and LED driver (E) with the provided 2-port wagos (I).
06. Tuck the wire connections and LED driver into the J-box, be careful not to pinch any wires.
07. Secure the LED crossbar assembly (C) to J-box (F) with two provided screws (J).



EPOCH SCONCE (120V) | INSTALLATION

Note: Please contact a licensed electrician.

08. After securing the LED crossbar assembly (C), fit the main sconce body (B) over the LED crossbar assembly, and secure it with surface collar (A).

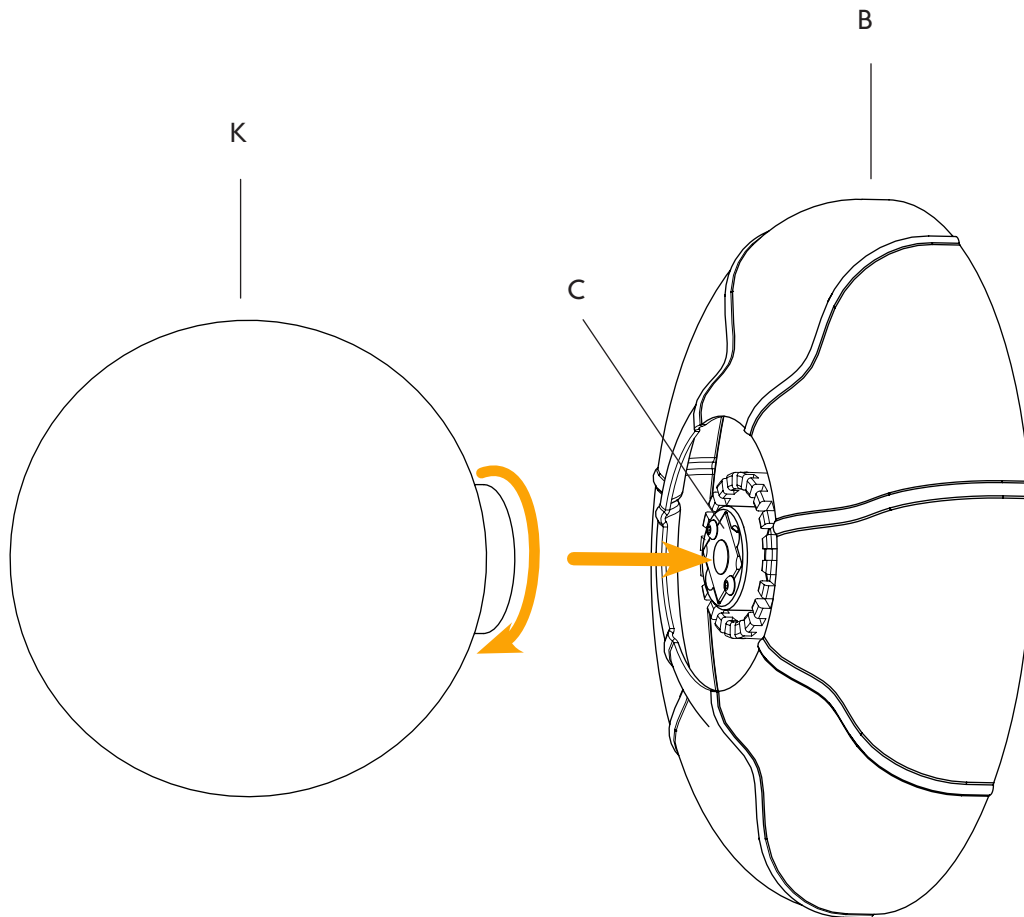


EPOCH SCONCE (120V) | INSTALLATION

Note: Please contact a licensed electrician.

09. Screw on the glass diffuser (K) onto the LED crossbar assembly (C).

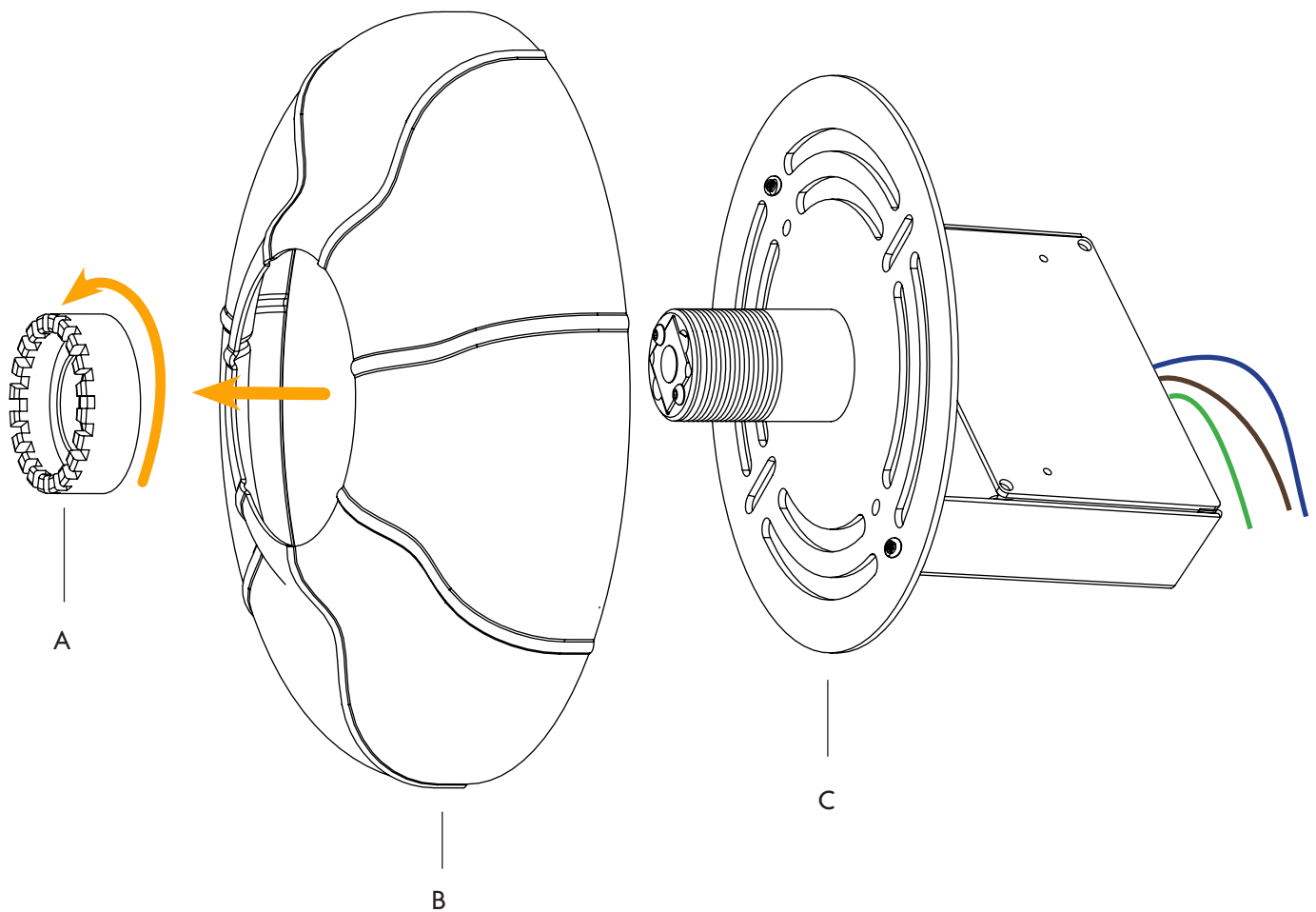
NOTE: do not over tighten the diffuser as the glass may start to push on the main body (B), and potentially be damaged.



EPOCH SCONCE (240V) | INSTALLATION

Note: Please contact a licensed electrician.

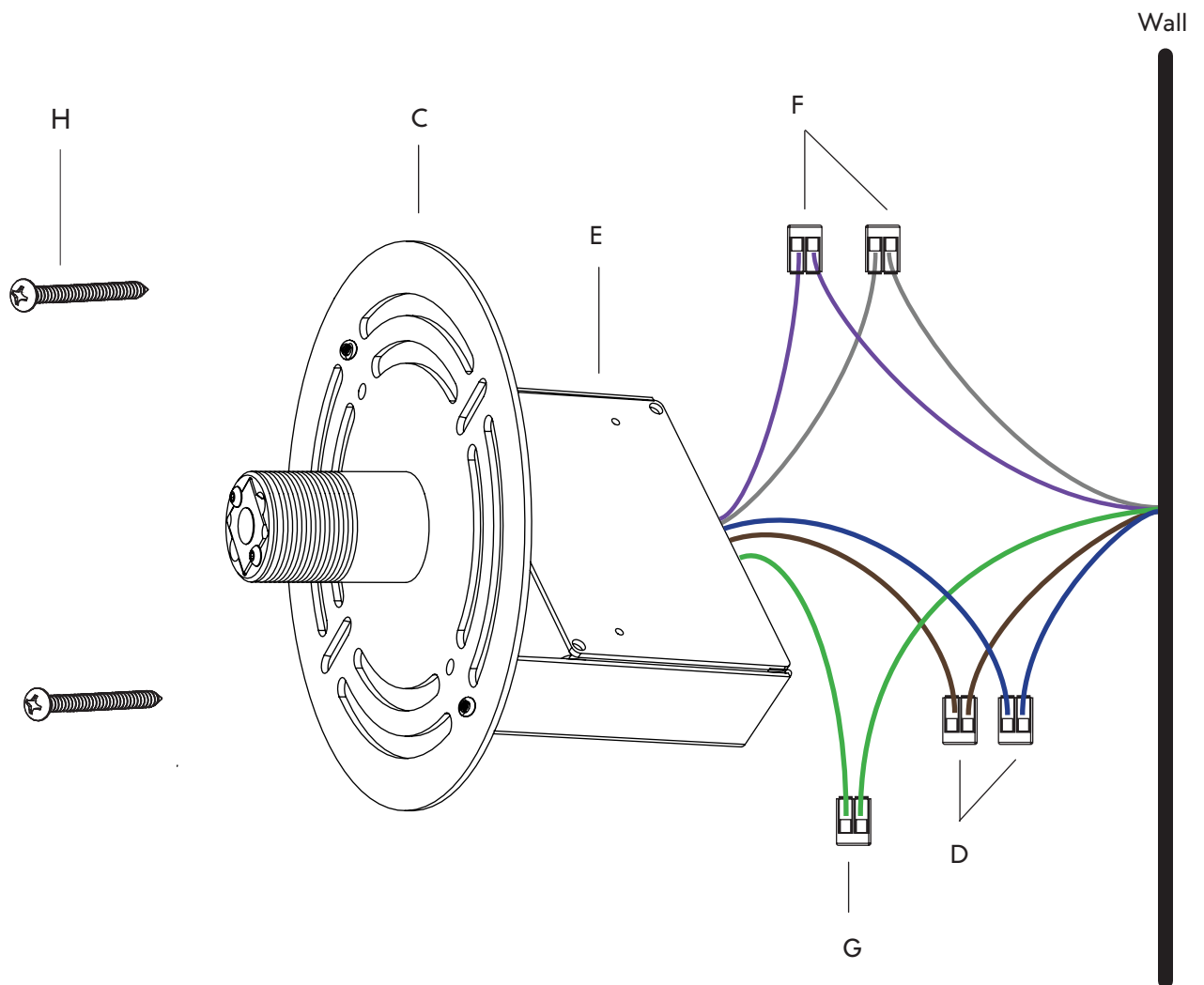
01. Unscrew the surface collar (A) from the sconce body (B) to release the LED with 240V crossbar assembly (C).



EPOCH SCONCE (240V) | INSTALLATION

Note: Please contact a licensed electrician.

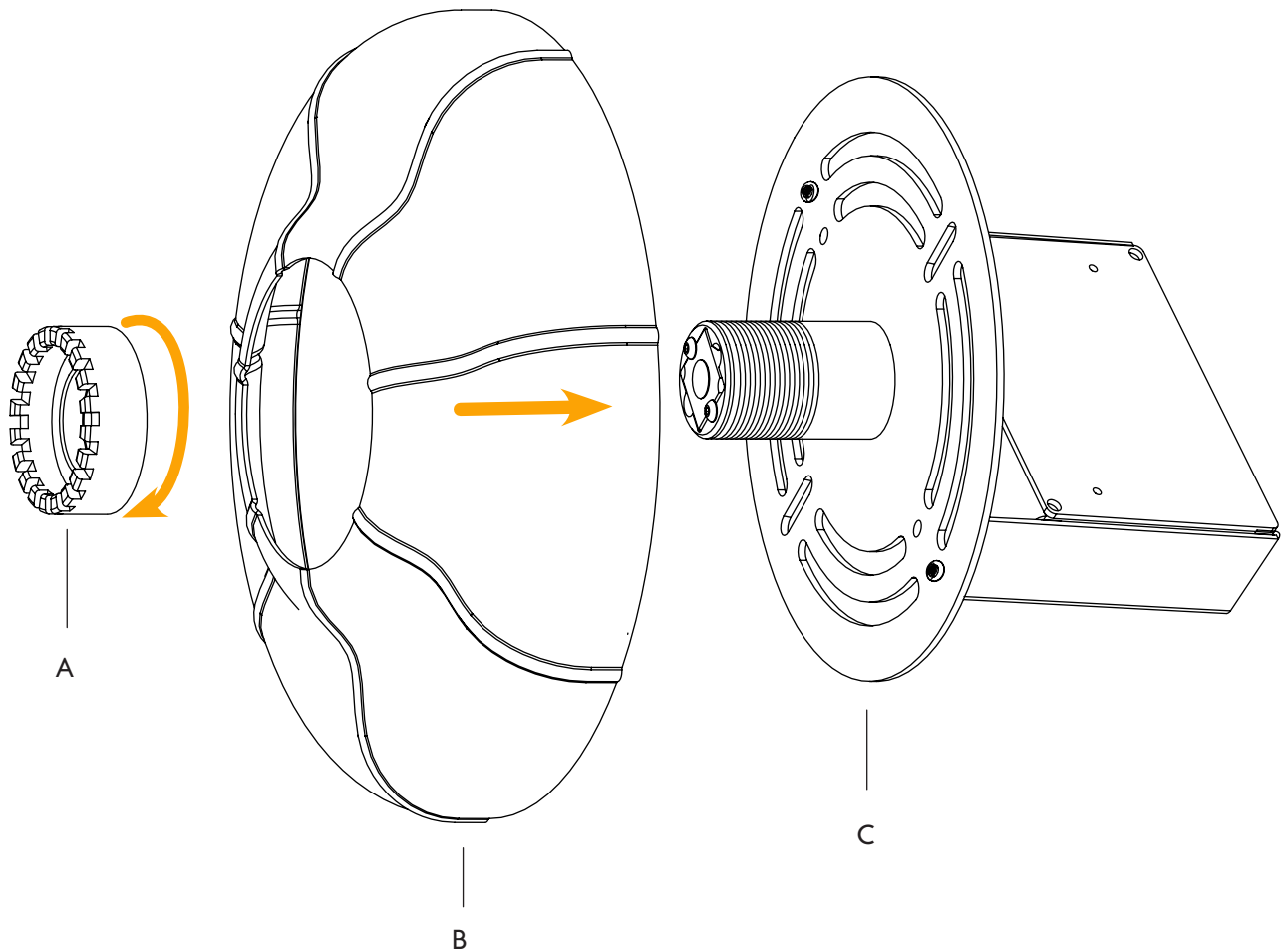
02. Connect the 240V lead power wires with the provided 2-port wagos (D), from the LED driver (E) and in-wall wires.
03. Optional: make the dimming wire connection with the provided 2-port wagos (F).
04. Make the Ground wire connection from the LED crossbar assembly (C) and in-wall wires with the provided 2-port wagos (G).
05. Tuck the wire connections and LED driver into the wall, be careful not to pinch any wires.
06. Secure the LED crossbar assembly (C) using the appropriate provided 240V screws (H).



EPOCH SCONCE (240V) | INSTALLATION

Note: Please contact a licensed electrician.

07. After securing the LED crossbar assembly (C), fit the main sconce body (B) over the LED crossbar assembly, and secure it with surface collar (A).



EPOCH SCONCE (240V) | INSTALLATION

Note: Please contact a licensed electrician.

08. Screw on the glass diffuser (K) onto the LED crossbar assembly (C).

NOTE: do not over tighten the diffuser as the glass may start to push on the main body (B), and potentially be damaged.

