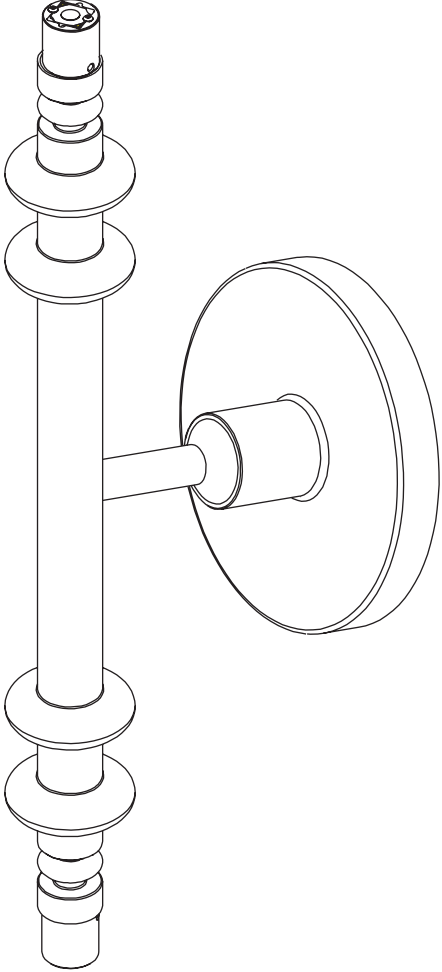



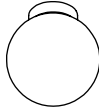

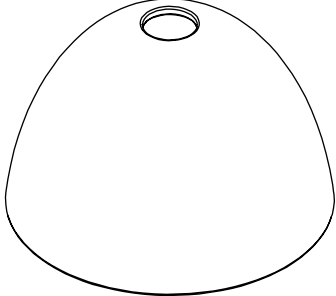
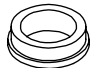

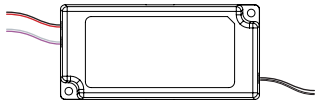


CONTENTS

	(x2) 8-32 J box Screw	(x5) Wago Connector 2
		
	8-32 Set Screw	GLSS-256 - 2" Diffuser
		
	Hex Key	2x Del Playa Shade
		
	2x Collar	2x O-ring
		
LED driver		

SAFETY INFORMATION

Suitable for dry, indoor use only.

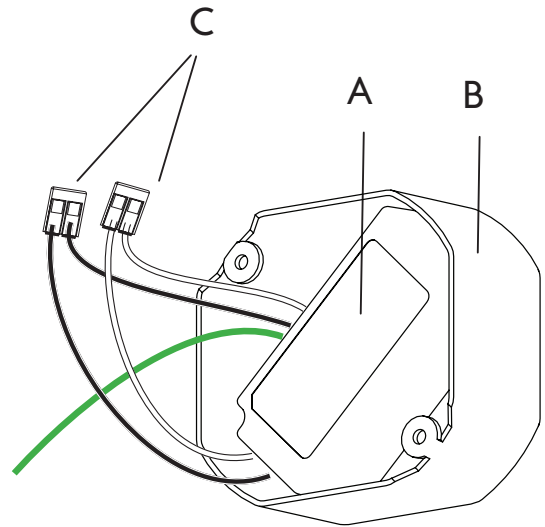
Maximum ambient temperature: 25°C

The light source contained in this luminaire shall only be replaced by the manufacturer or his service agent or a similar qualified person.

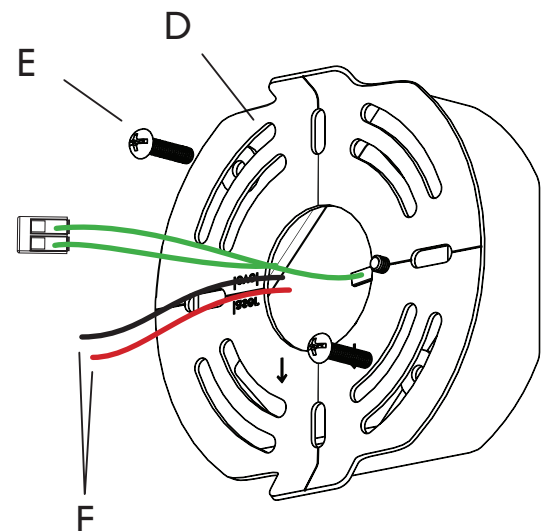
DEL PLAYA 2 ARM SCONCE | INSTALLATION

Note: Please contact a licensed electrician.

1. Install the driver (A) into the junction box (B) and connect the live wire connections (C) to the driver using the wago connectors.



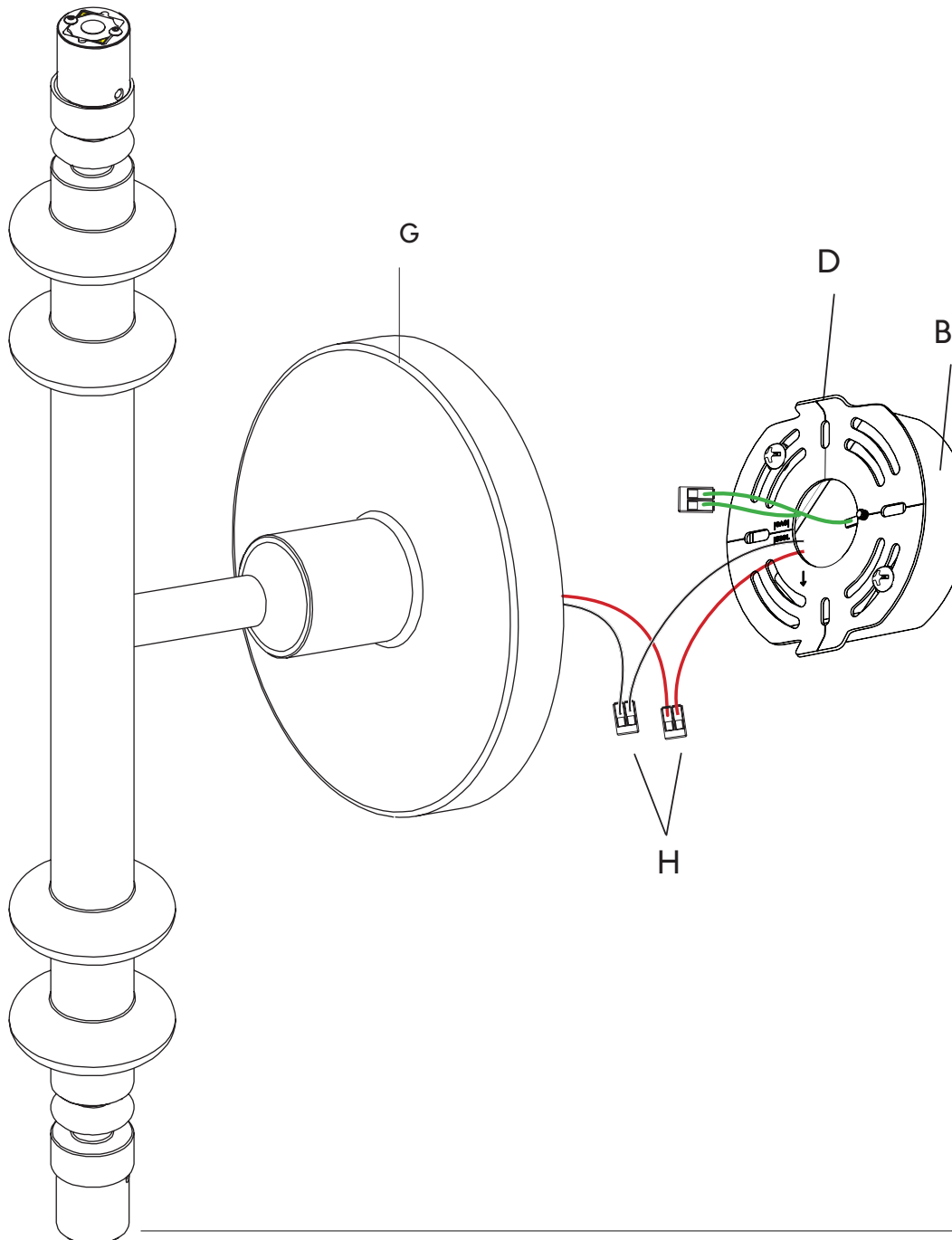
2. Ground the crossbar (D) to the junction box using the wago connector. Mount the crossbar to the junction box using the provided #8-32 screws (E).



3. Pull the output driver wires (F).

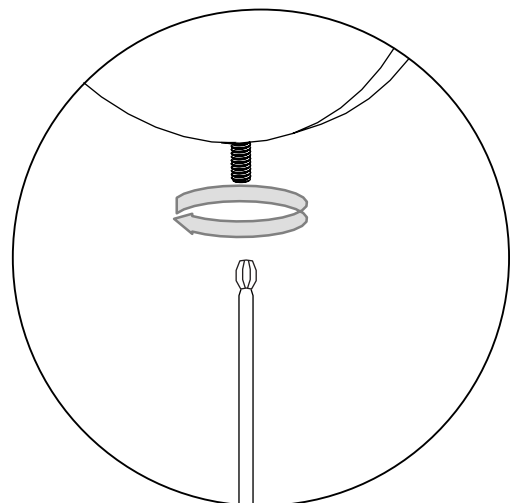
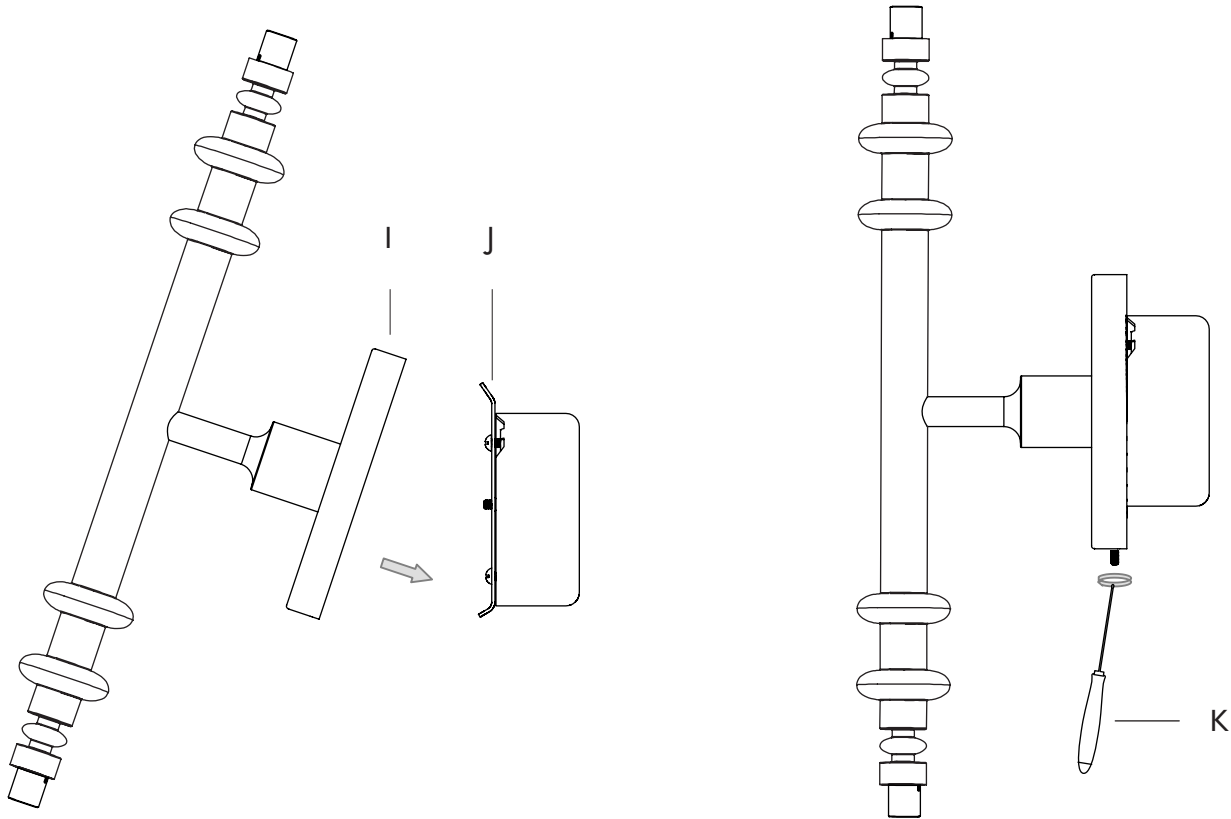
DEL PLAYA 2 ARM SCONCE | INSTALLATION

4. Carefully hold fixture (G) to crossbar (D) and make secondary wire (H) connections. Push wire connectors back through center hole of crossbar into junction box (B).



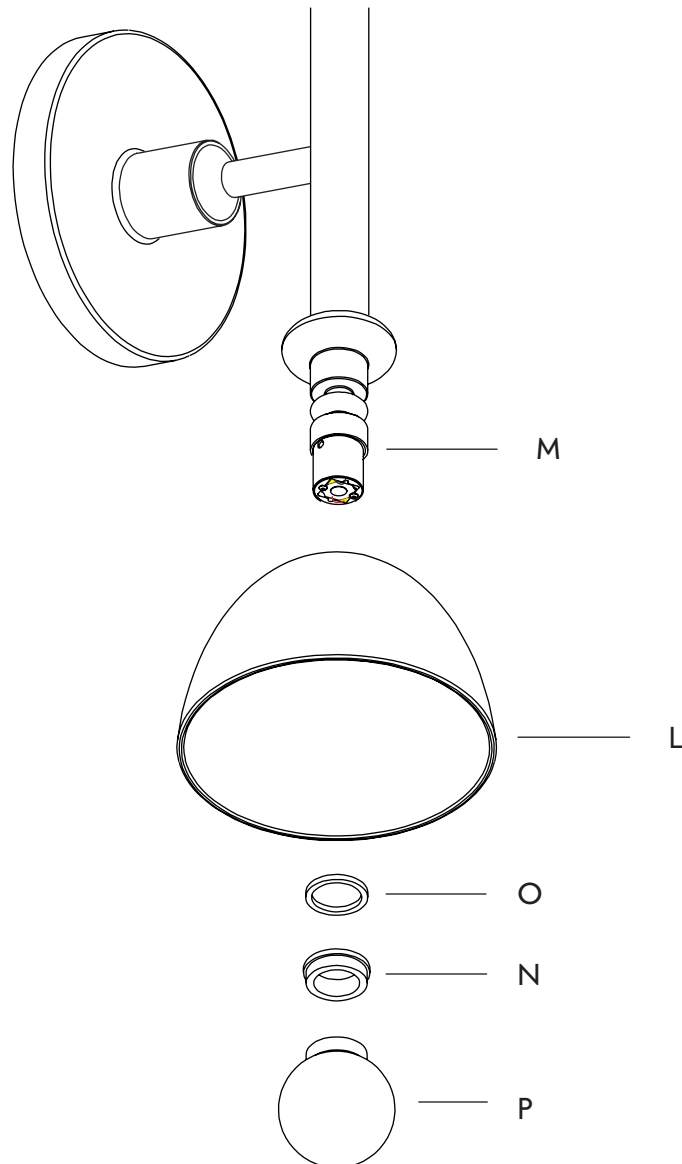
DEL PLAYA 2 ARM SCONCE | INSTALLATION

5. Tuck all the wire connections inside the junction box and hook the fixture backplate (I) onto the french cleat of the crossbar (J). Once the fixture assembly is resting in place, use the provided Hex Key (K) to tighten the bottom set screw to the crossbar until the backplate is secured.

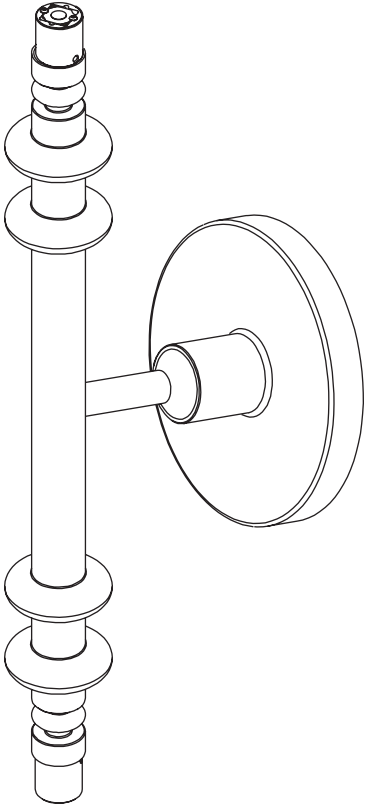



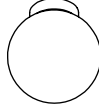
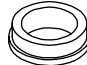

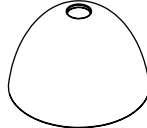
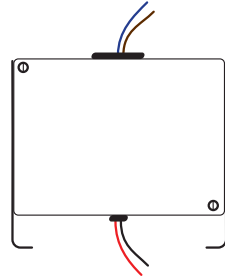
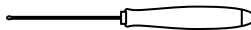



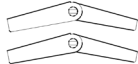


DEL PLAYA 2 ARM SCONCE | INSTALLATION

6. Fit the shade (L) onto the LED cup (M), and secure it with collar (N) and O-ring (O).
Then screw on the LED diffuser (P).



CONTENTS

	(x2) 8-32 J box Screw	(x5) Wago Connector 2	
			
	8-32 Set Screw	2x GLSS-256 - 2" Diffuser	
			
	2x Collar	2x O-ring	
			
2x Del Playa Shade	240V driver with enclosure		
			
Hex Key			
			
240V screw kit			
			
3" #8 wood screws	3" 8-32 pan head screws	3" 18-8 machine screws	8-32 Toggle Wing Anchor

SAFETY INFORMATION

Suitable for dry, indoor use only.

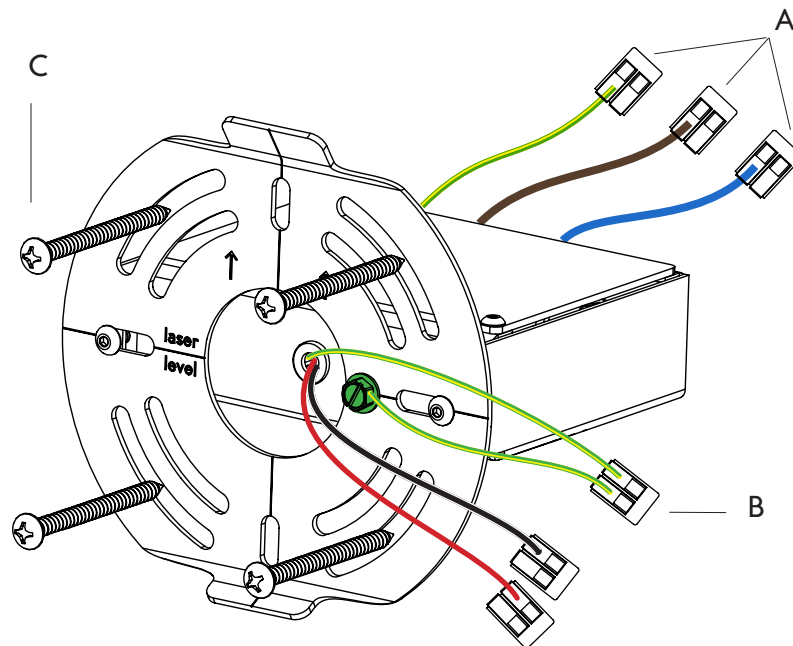
Maximum ambient temperature: 25°C

The light source contained in this luminaire shall only be replaced by the manufacturer or his service agent or a similar qualified person.

DEL PLAYA 2 ARM SCONCE | INSTALLATION

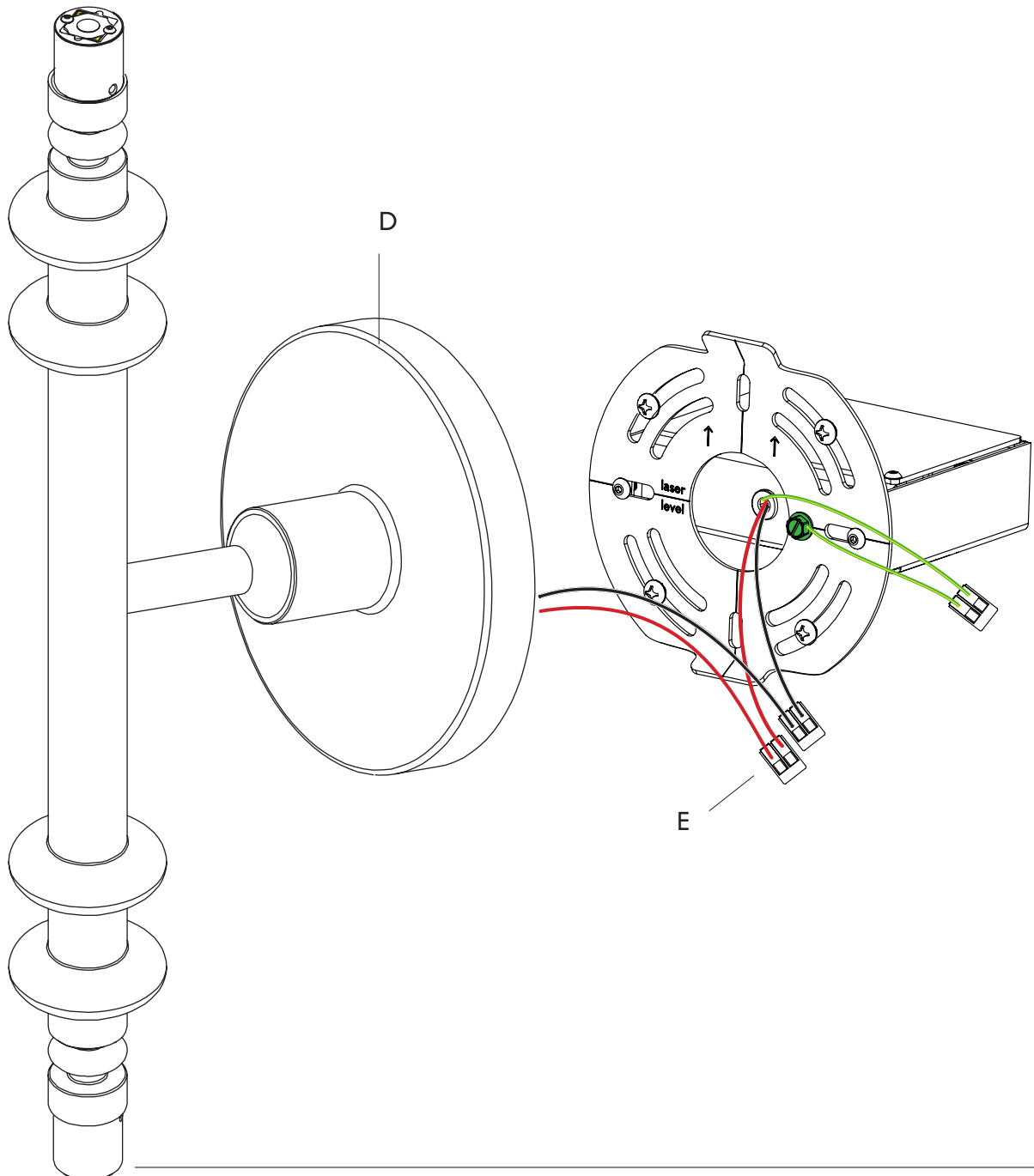
Note: Please contact a licensed electrician.

01. Connect the lead wires (A) to the power supply wires.
02. Ground the crossbar assembly through the back of the driver box using the wago connector (B).
03. Mount the crossbar to the wall using the provided screws (C).



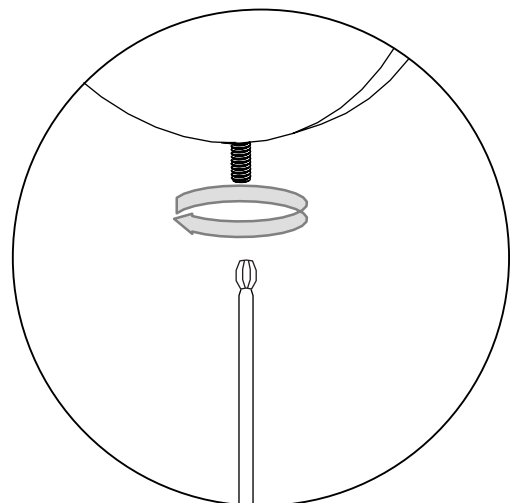
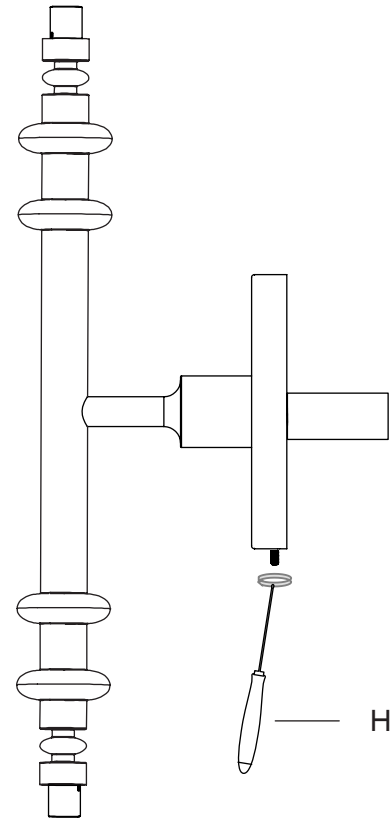
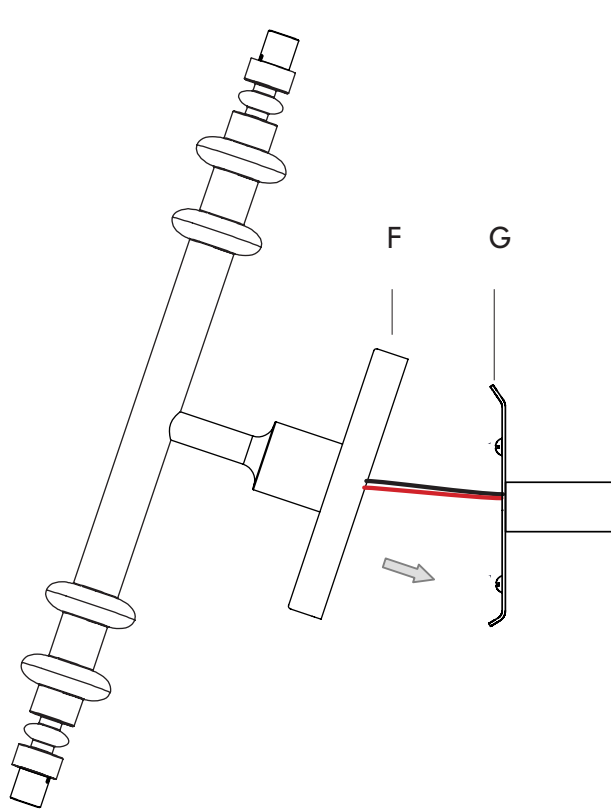
DEL PLAYA 2 ARM SCONCE | INSTALLATION

04. Carefully hold the fixture assembly (D) up to the crossbar. Make the secondary wire connections between the driver wires and the fixture wires (E).



DEL PLAYA 2 ARM SCONCE | INSTALLATION

5. Tuck all the wire connections inside the junction box and hook the fixture backplate (F) onto the french cleat of the crossbar (G). Once the fixture assembly is resting in place, use the provided Hex Key (H) to tighten the bottom set screw to the crossbar until the backplate is secured.



DEL PLAYA 2 ARM SCONCE | INSTALLATION

06. Fit the shade (I) onto the LED cup (J), and secure it with collar (K) and O-ring (L).
Then screw on the LED diffuser (M).

