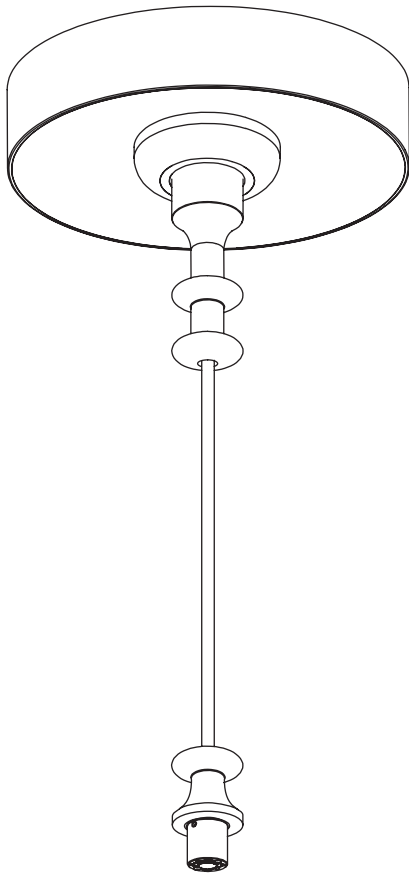
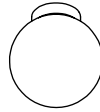


CONTENTS

Del Playa Corded
Pendant Assembly



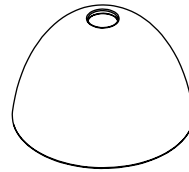
2" Diffuser



(x2) 8-32 J box Screw



Del Playa Shade



(x5) Wago Connectors



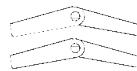
Collar



O-ring



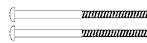
(x2) Toggle anchor
On 240V fixtures only



(x2) Wood screw
On 240V fixtures only



(x2) Long 8-32 screw
On 240V fixtures only



(x2) Metal screw
On 240V fixtures only



SAFETY INFORMATION

Suitable for dry, indoor use only.

Maximum ambient temperature: 25°C

The light source contained in this luminaire shall only be replaced by the manufacturer or his service agent or a similar qualified person.

DEL PLAYA PENDANT CORDED | INSTALLATION

Stem and cover tube length adjustment

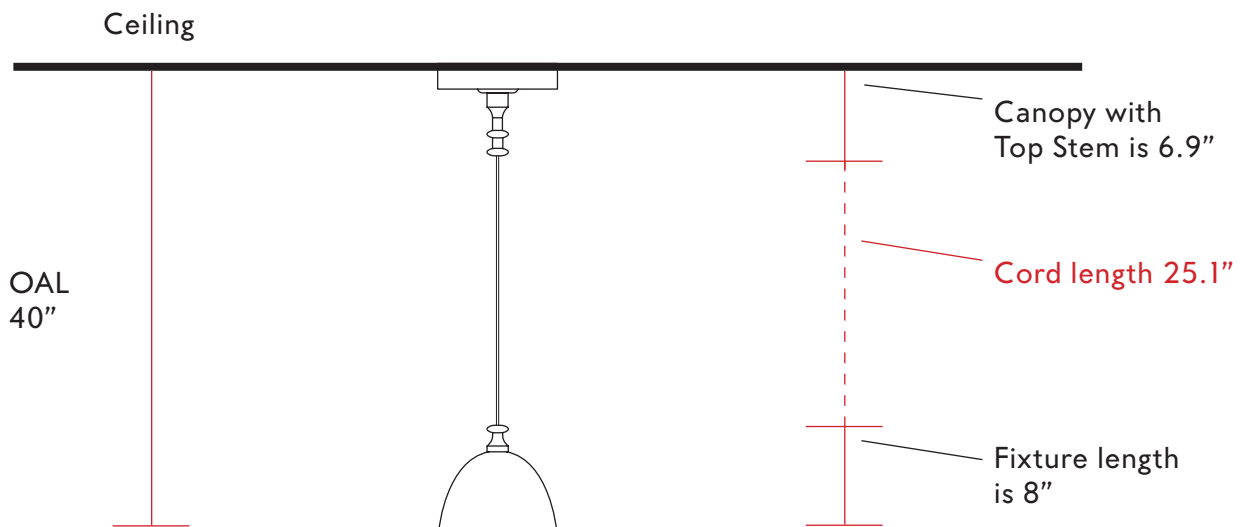
Note: Please contact a licensed electrician.

Example fixture only:

To measure length of stem, first determine overall length (OAL), subtract 6.9" for the canopy with stem height and subtract the fixture height from the OAL. Fixture height is measured from bottom of the fixture to stem connection point. The resulting measurement is the final stem length.

Ex. The fixture below has an OAL of 40" and a fixture height of 8".
 $40'' \text{ OAL} - 6.9'' \text{ canopy \& stem} - 8'' \text{ fixture height} = 25.1'' \text{ cord}$

Note: leave extra cord length to pass through the canopy with stem and make the wire connection.

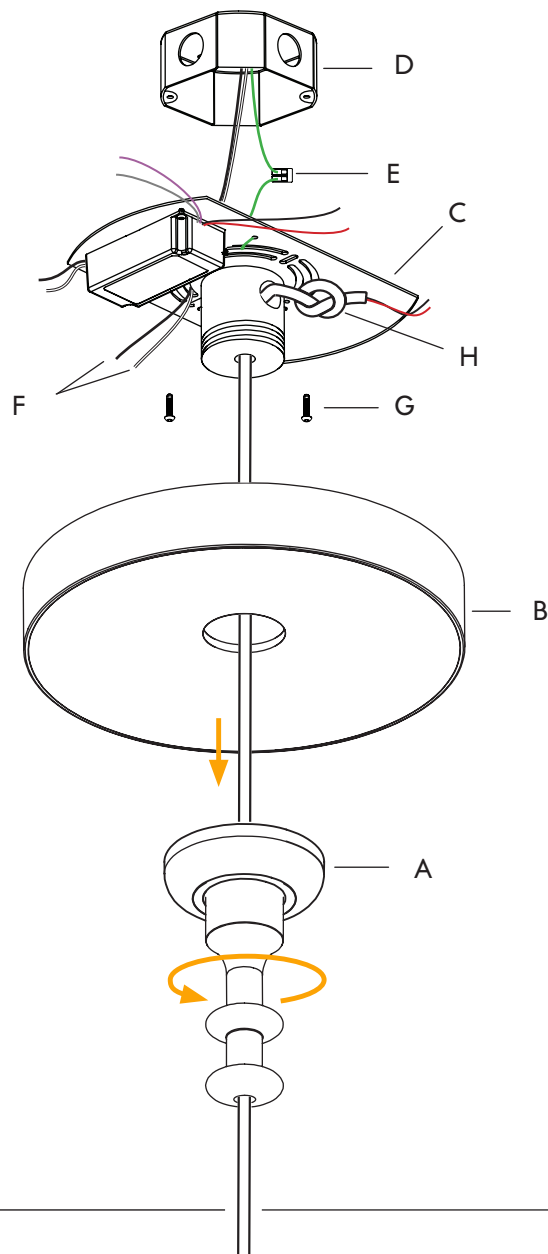


DEL PLAYA PENDANT CORDED | INSTALLATION

Note: Please contact a licensed electrician.

1. Unscrew the canopy stem nut (A) counter-clock wise, to release the canopy (B) from the crossbar (C).
2. Bring the crossbar up to the J-box (D), and connect the ground wire (E), and pull out the lead wires (F) through one of the openings in the crossbar.
3. Secure the crossbar to J-box with the two provided screws (G).
4. Adjust the fixture to the desired length by tying the knot at the end of the cable (H), then cut off excess cable, and strip the ends to reveal the low voltage wires.

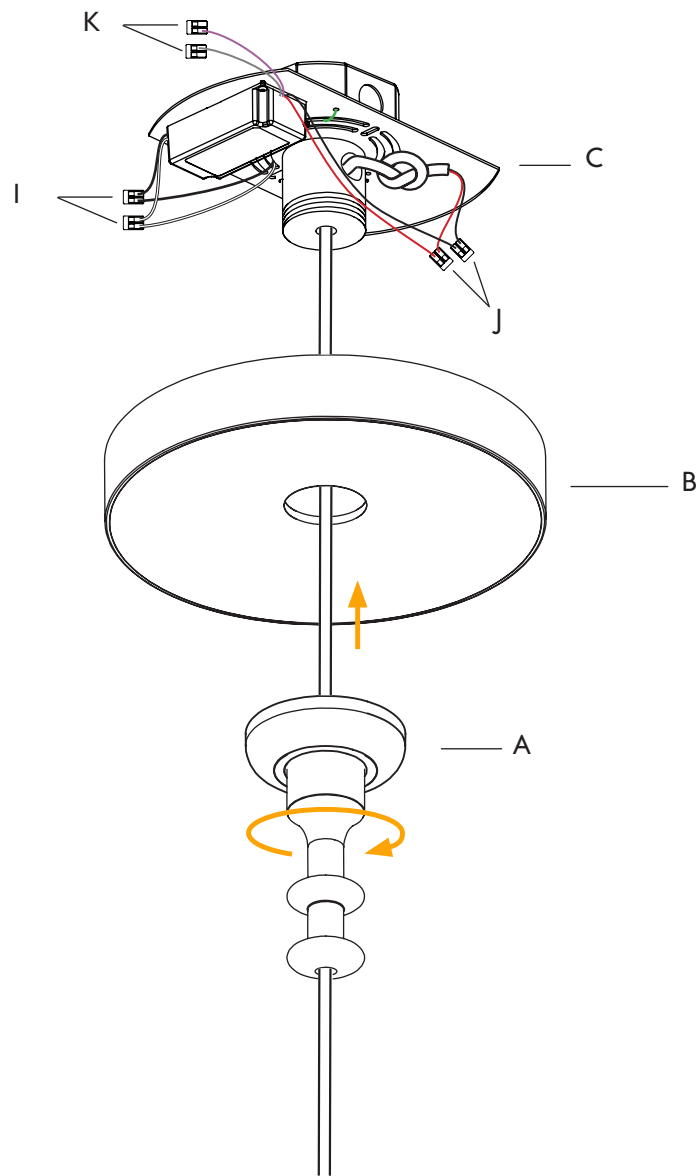
NOTE: Double check the desired drop length before cutting off the excess cable.



DEL PLAYA PENDANT CORDED | INSTALLATION

Note: Please contact a licensed electrician.

5. Connect the lead wire using the provided 2-port wagos (I).
6. Connect the low voltage wires using the provided 2-port wagos (J).
7. Optional: connect the dimming wires using the provided 2-port wagos (K).
8. After all the wires are connected and the cable is tightly secured in a knot. Raise the canopy (B) to crossbar (C), and secure it with the crossbar stem nut (A), in a clock wise direction.



DEL PLAYA PENDANT CORDED | INSTALLATION

SHADE INSTALLATION

1. Fit the shade (A) onto the LED cup (B), and secure it with O-ring (C) and collar (D).
2. Then screw on the LED diffuser (E).

