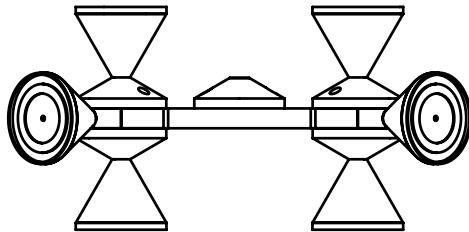
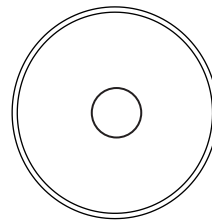


CONTENTS

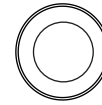
Castle 12
01-02-03-04



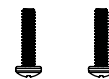
Canopy



Canopy Nut



8/32 J-Box Screws



Long Glass
Diffuser (x4)



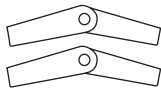
Short Glass
Diffuser (x8)



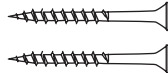
Wago
Connectors (x5)



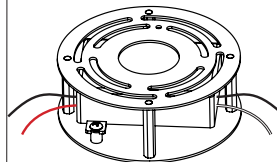
(x2) Toggle anchor
On 240V fixtures only



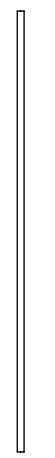
(x2) Wood screw
On 240V fixtures only



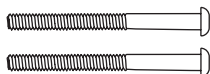
Crossbar/Driver
Assembly (120V)



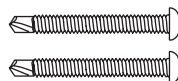
Stem and 1/8 IPS
Threaded Rod



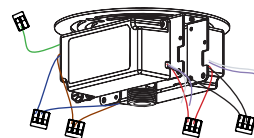
(x2) Long 8-32 screw
On 240V fixtures only



(x2) Metal screw
On 240V fixtures only



Crossbar/Driver
Assembly (240V)



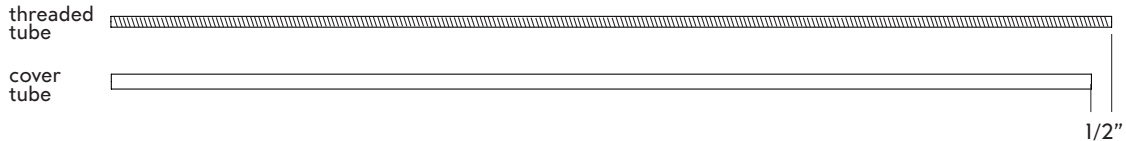
SAFETY INFORMATION

Only suitable for direct mounting on non-combustible surfaces.
Under no circumstances can Castle Chandeliers be mounted on normally flammable surfaces.
Suitable for dry, indoor use only.

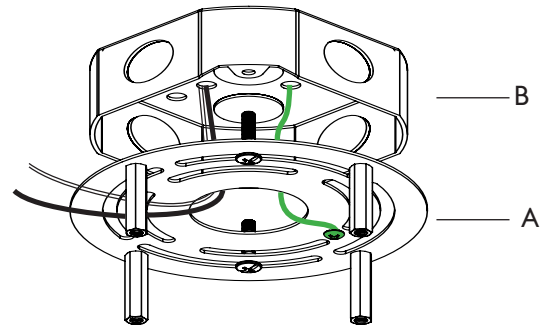
CASTLE CHANDELIER | 120V CEILING INSTALLATION

Note: Please contact a licensed electrician.

- To customize the length of the provided 36-inch stem, you may cut to desired length. Then cut the inner all-thread tube to the same length plus 1/2 inch to allow room for threading.



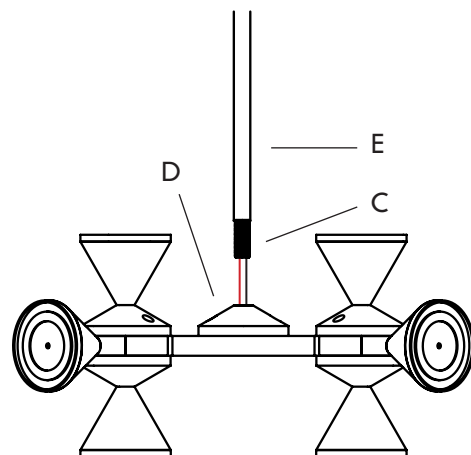
- Detach the crossbar (A) from the driver assembly by unscrewing the 4 screws (set them aside for later), and attach it to the J-box (B) with the provided #8-32 screws.



- Pull the ceiling lead wires through the center hole in the crossbar, and connect the ground wire to the crossbar.

- Feed wire from the fixture through the threaded rod (C). Thread the rod a quarter inch into the top hub of the fixture (D).

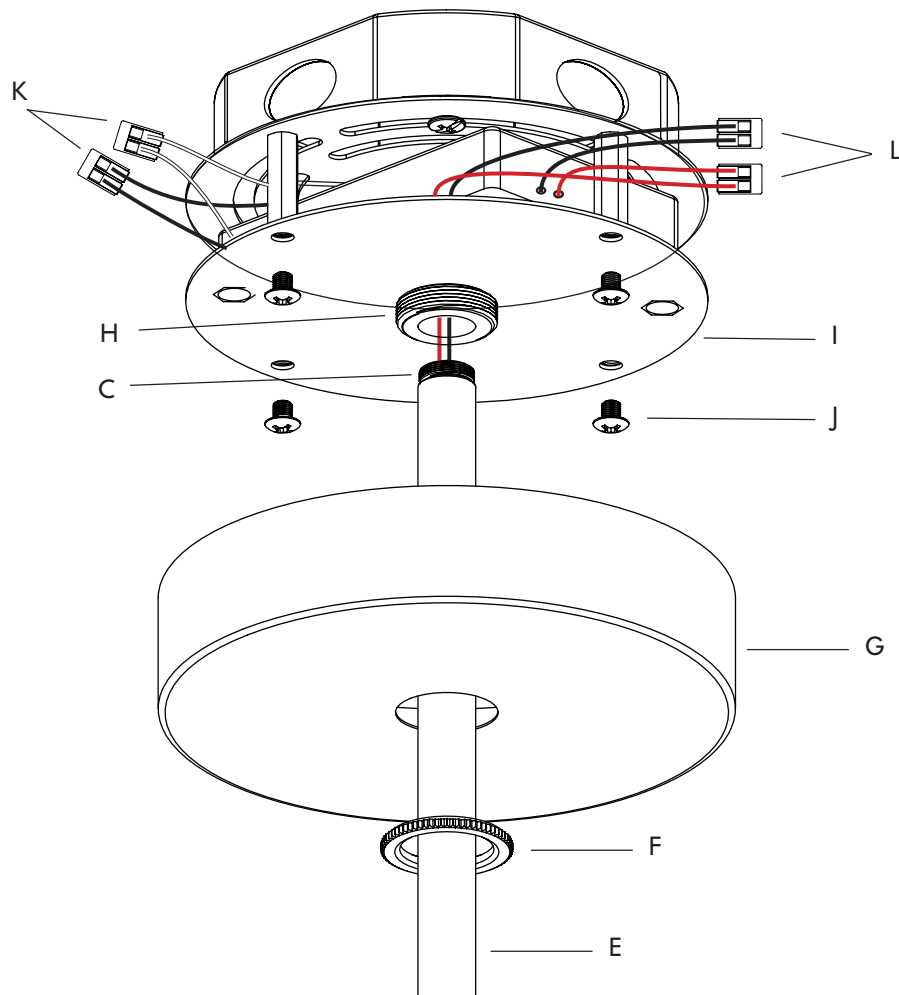
- Slide the cover tube (E) over the threaded tube (C).



CASTLE CHANDELIER | 120V CEILING INSTALLATION

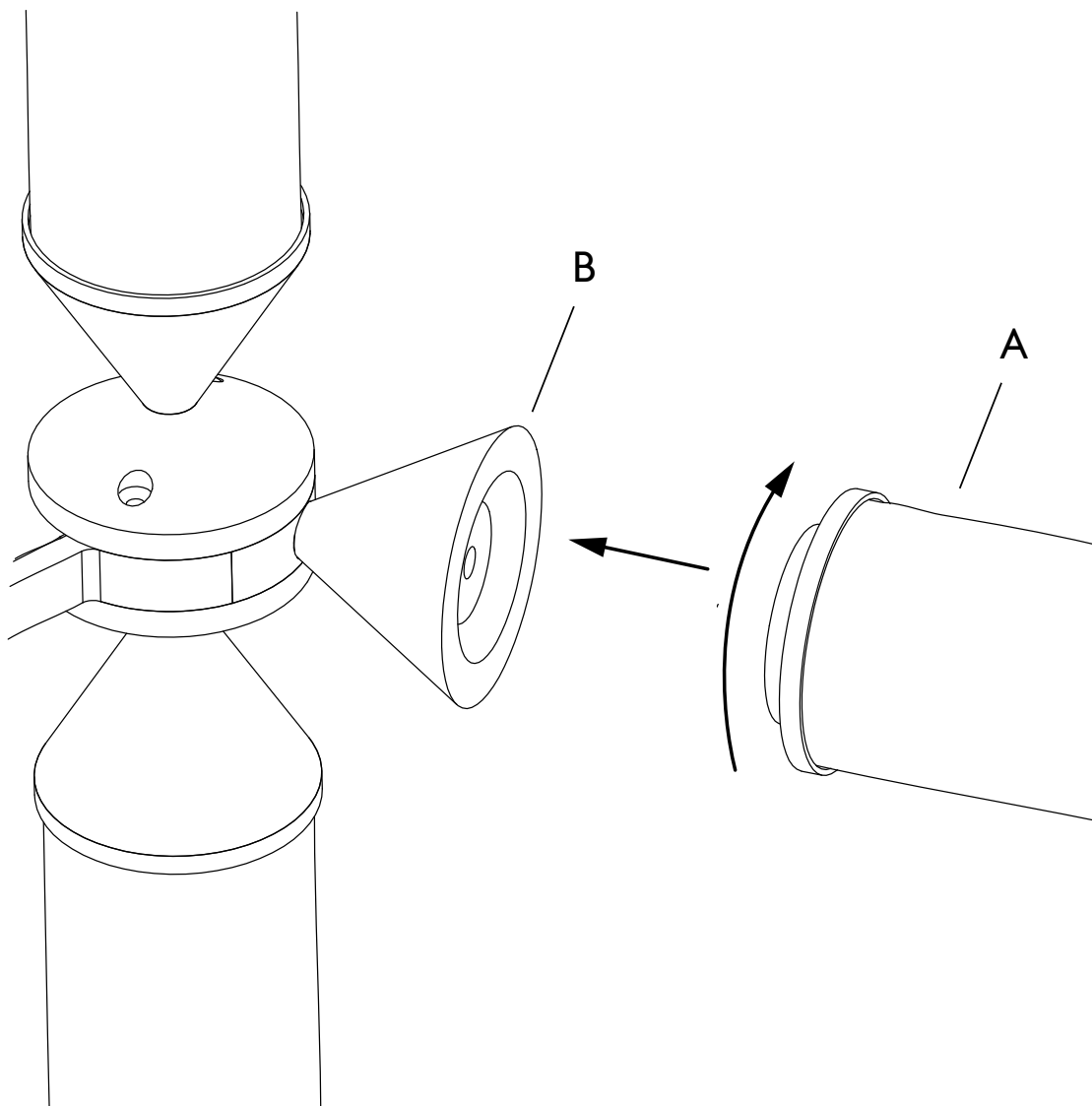
Note: Please contact a licensed electrician.

06. Slide the hang-straight nut (F) and the canopy (G) down the cover tube (E).
07. Feed the fixture wires from the threaded tube (C), through the hang-straight (H). And screw in the threaded tube (C) into the hang-straight (H)
08. Raise the driver assembly plate (I) with the hang-straight, threaded rod and fixture all connected to the crossbar standoffs and screw in with 4 screws (J). Make sure the lead wires feed out to the side.
09. Connect the lead wires to the LED driver with the provided wago connectors (K).
10. Connect the secondary fixture wires with the provided wago connectors (L).
Tuck all wires back into the main body.
10. Raise the canopy (G) to the ceiling, and tighten in place with hang-straight nut (F).



CASTLE CHANDELIER | DIFFUSER INSTALLATION

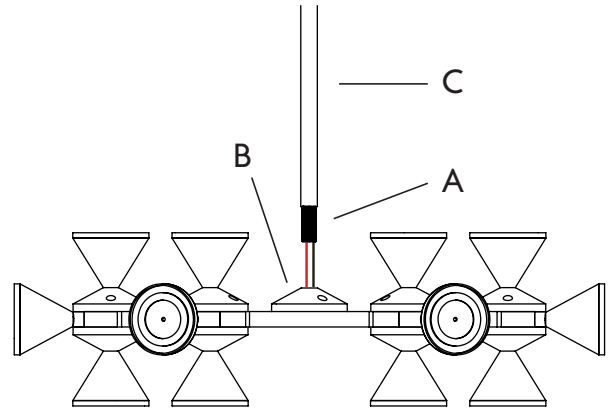
01. Screw the glass diffusers (A) clockwise into threaded hub (B)



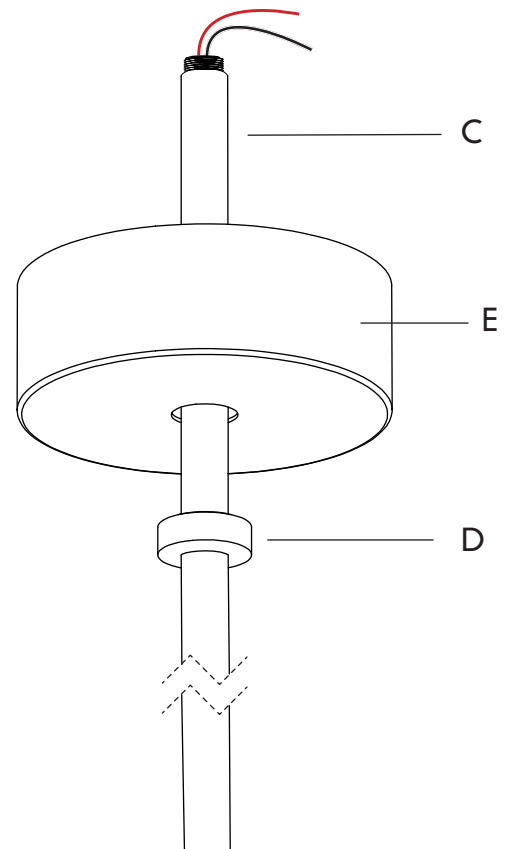
CASTLE CHANDELIER | 240V CEILING INSTALLATION

Note: Please contact a licensed electrician.

01. Feed wire from the fixture through the threaded rod (A). Thread the rod a quarter inch into the top hub of the fixture (B).
02. Slide the cover tube (C) over the threaded tube (A).



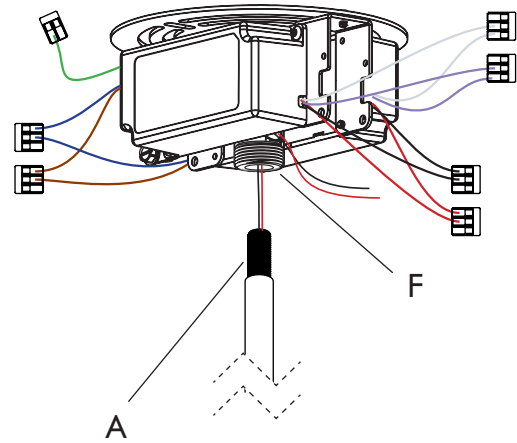
03. Slide the canopy nut (D) and the canopy (E) over the threaded rod with cover tube (C).



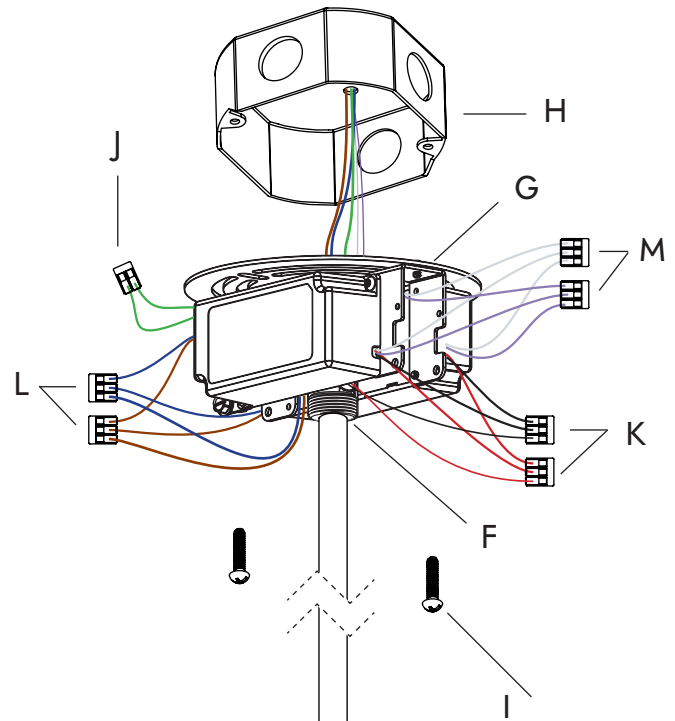
CASTLE CHANDELIER | 240V CEILING INSTALLATION

Note: Please contact a licensed electrician.

04. Connect the threaded rod (A) to the hickey (F).
Be sure to pull the wires through the hickey.
Do Not connect the wires yet.



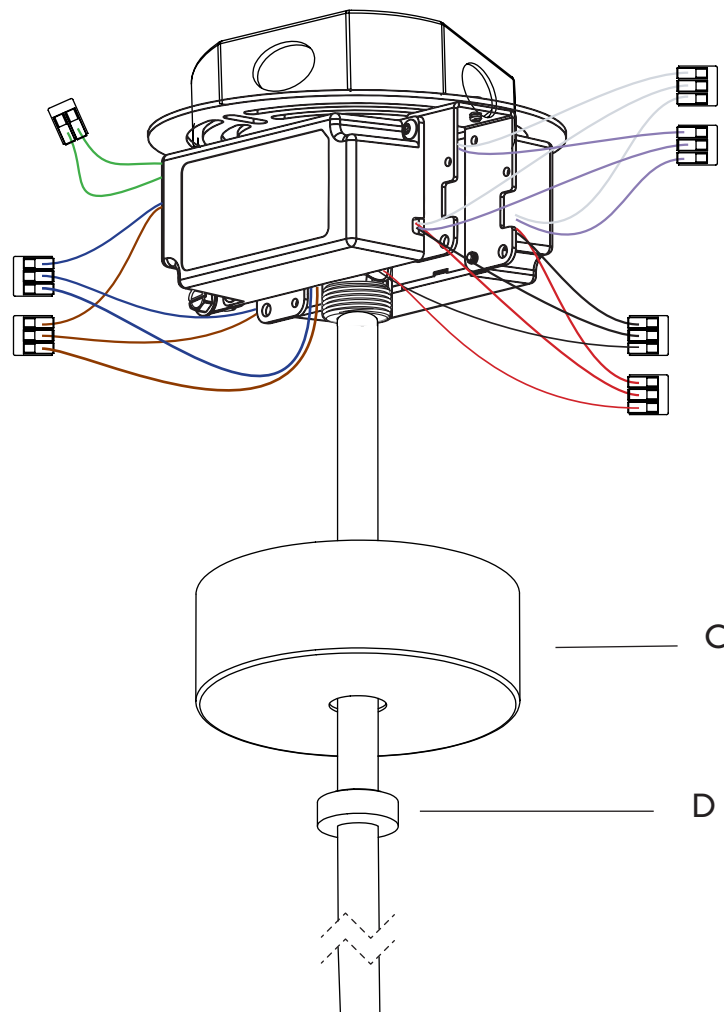
05. Attach the crossbar (G) to the J-box (H), and secure it with two 8-32 screws (I).
Be sure to pull the wires from J-box through the crossbar.
06. Connect the ground wire (J) with the provided 2-port wago.
07. Connect the secondary wires (K) with the provided 3-port wgos.
08. Connect the lead wires (L) with the provided 3-port wgos.
09. Optional: connect the dimming wires (M) with the provided 3-port wagos.



CASTLE CHANDELIER | 240V CEILING INSTALLATION

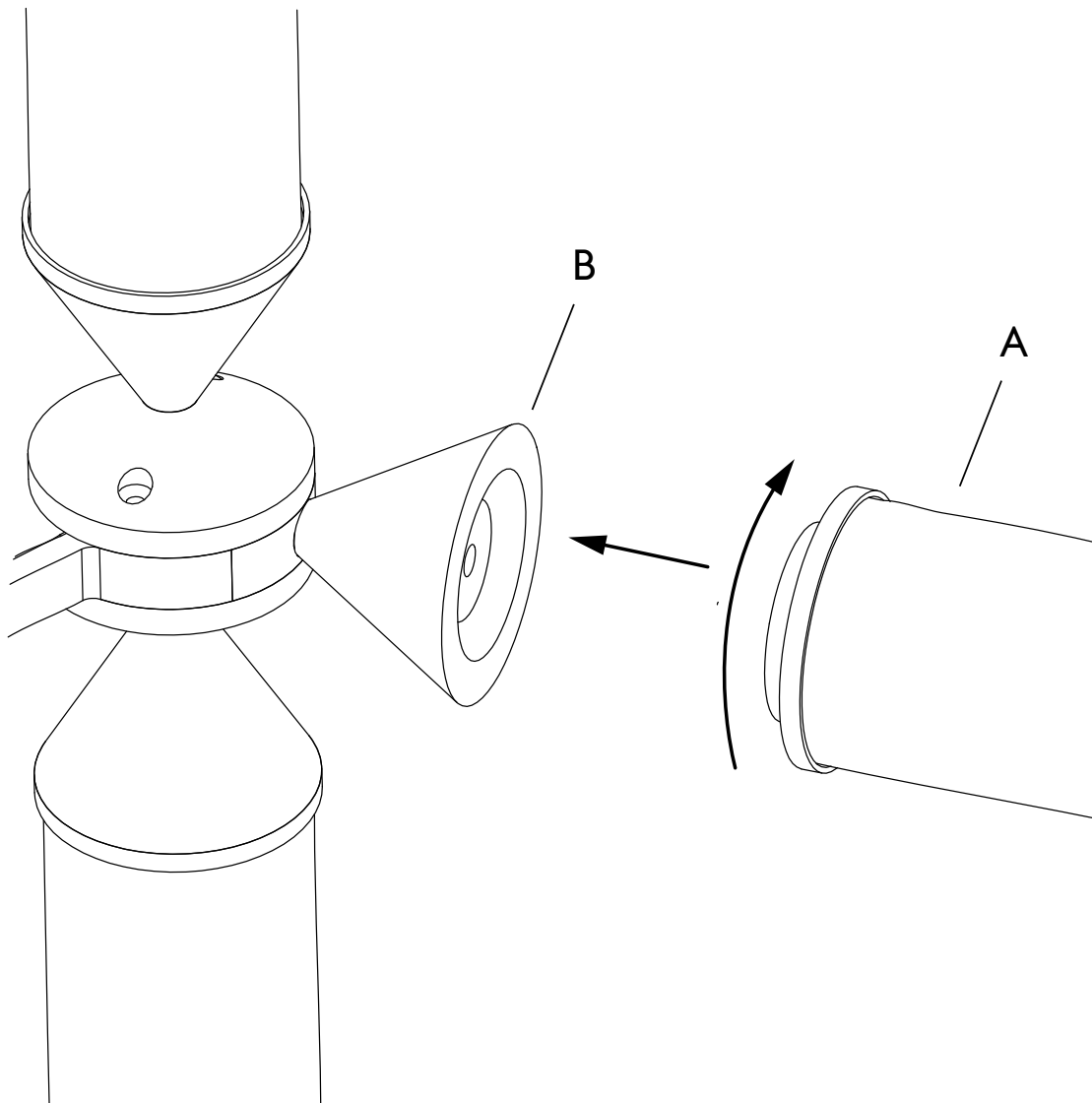
Note: Please contact a licensed electrician.

10. Raise the canopy (C) to the ceiling, tuck the wires inside the canopy, and secure the canopy in place with hang-strait nut (D).



CASTLE CHANDELIER | DIFFUSER INSTALLATION

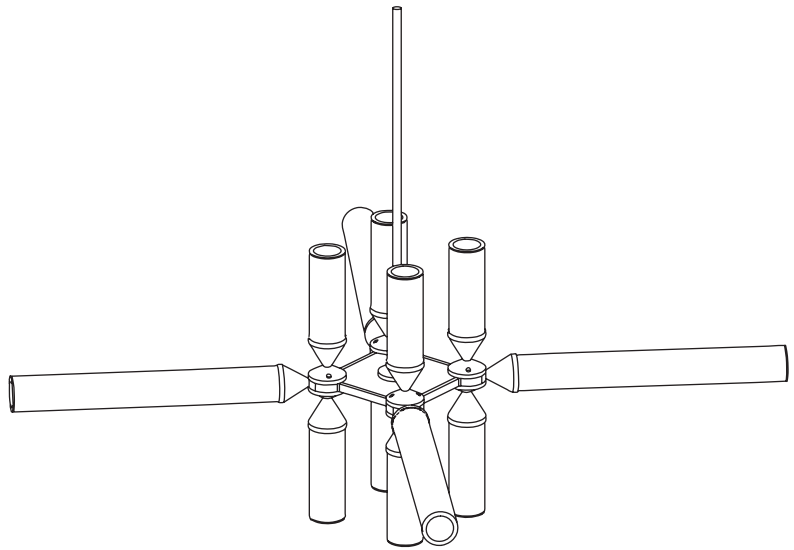
01. Screw the glass diffusers (A) clockwise into threaded hub (B)



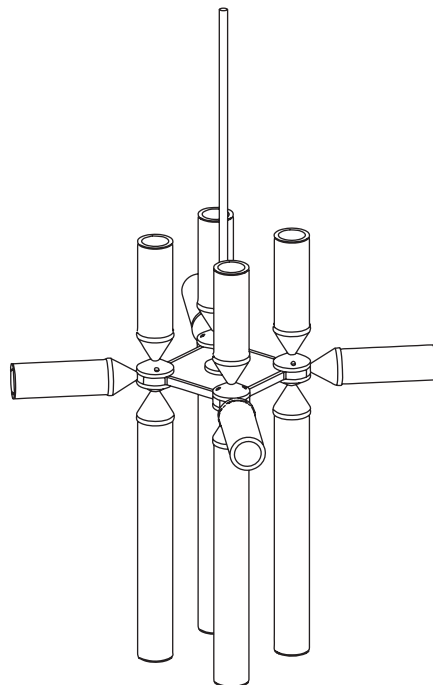
CASTLE CHANDELIER | DIFFUSER INSTALLATION

02. Castle 12 has three glass diffuser variations.

Castle 12-01
- Long glass oriented horizontally



Castle 12-02
- Long glass oriented vertically
from the bottom

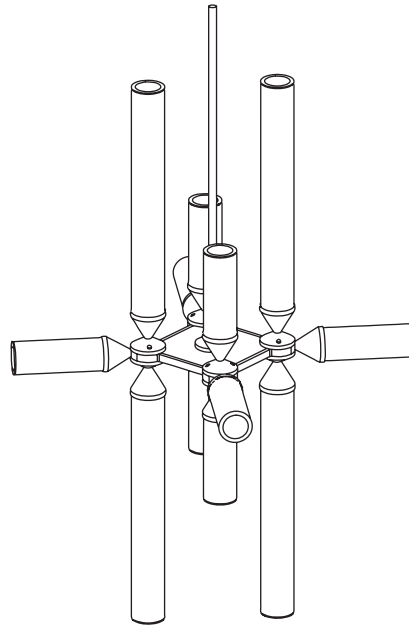


CASTLE CHANDELIER | DIFFUSER INSTALLATION

02. Castle 12 has three glass diffuser variations.

Castle 12-03

- Long glass oriented vertically
2x from the top, and 2x from the bottom
Both long glass are on the same hubs
from top and bottom.



Castle 12-04

- Long glass oriented vertically
2x from the top, and 2x from the bottom
One long glass and one short glass on the
same hub from top and bottom. Be sure to
alternate the hubs to keep the balance.

