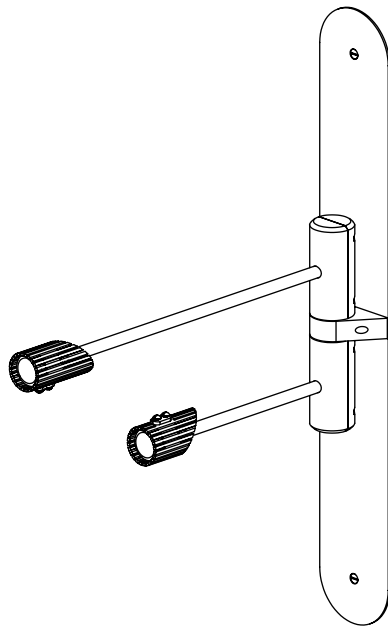


CONTENTS

Boden Scoene 02



#8-32 Screws 3/4" long (2)



#8-32 Screws 1-1/2" long (2)



#6-32 Screws
1/4" long (4)



Slotted flat head
1/2" screws (2)



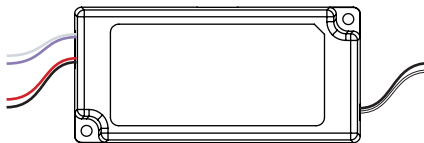
2 Port Wagos (2)



3 Port Wagos (2)



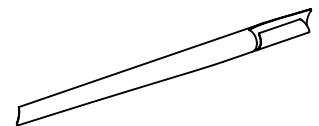
LED Driver



Tube Shade Short



Tube Shade Long



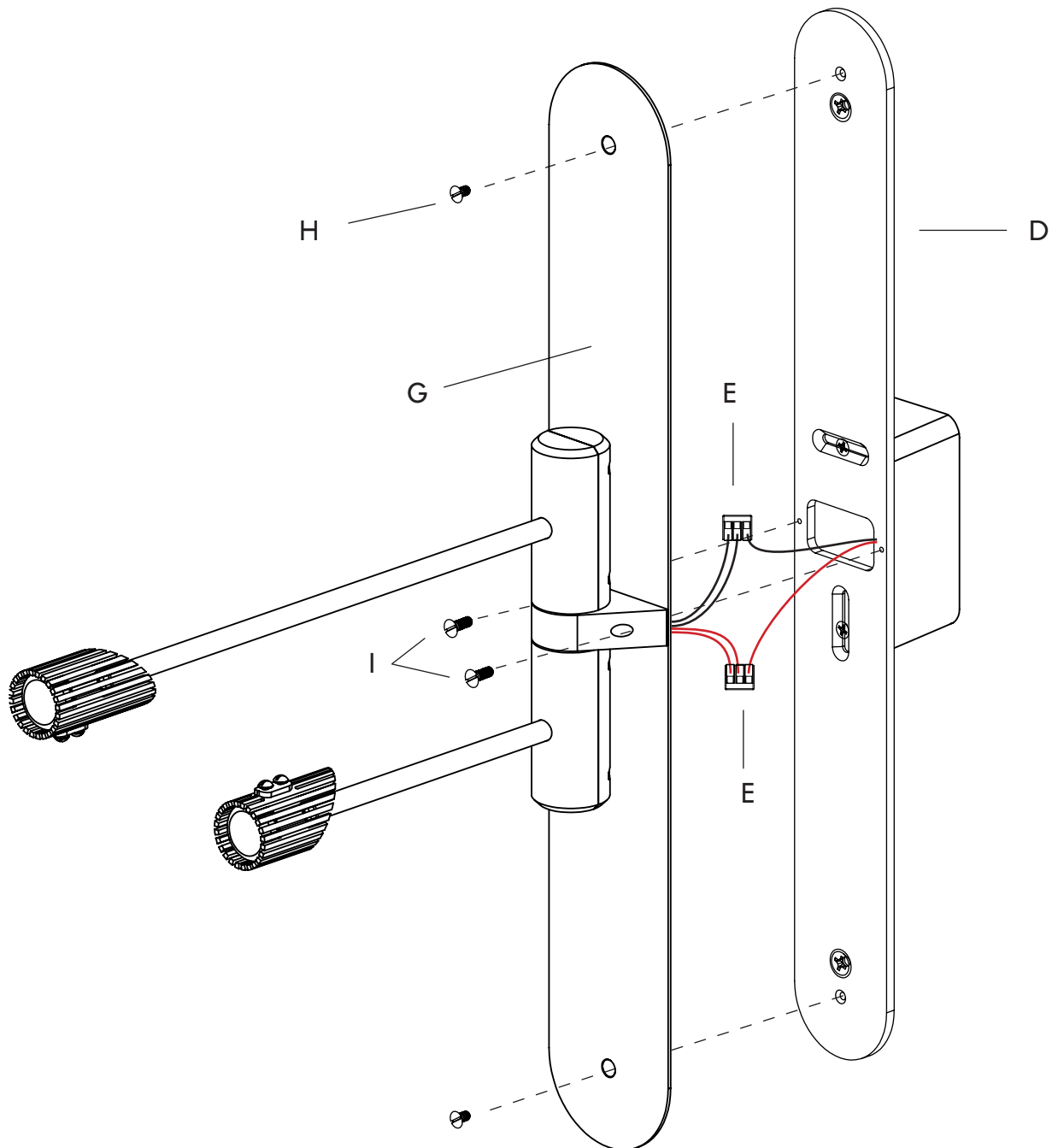
SAFETY INFORMATION

Only suitable for direct mounting on non-combustible surfaces.
Under no circumstances can Boden Scoene be mounted on normally flammable surfaces.
Suitable for dry or damp, indoor use only.
Maximum ambient temperature: 25° C

CEILING INSTALLATION

Note: Please contact a licensed electrician.

- Next, lift the fixture (G) up to the crossbar plate (D), and connect the secondary wires using the provided wagos (E), then tuck in all the wires inside the jbox.
- Secure the fixture (G) to the crossbar plate (D) using two #6-32 1/4" long screws (H), and two slotted flat head 1/2" screws (I).



SHADE INSTALLATION

Note: Please contact a licensed electrician.

1. Install long shade (A) onto top long horizontal arm LED socket (B).
Then a short shade (C) onto bottom short horizontal arm LED socket (D).
Secure the shade with two 1/4" long 6/32 screws (E).

