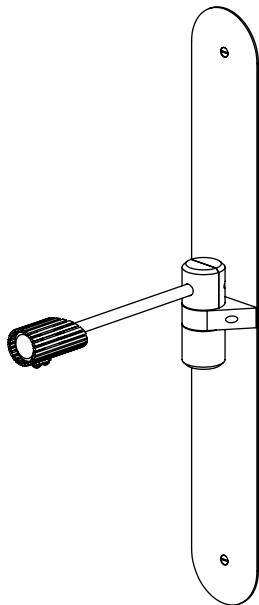


## CONTENTS

### Boden Scoene 01



#8-32 Screws 3/4" long (2)



#8-32 Screws 1-1/2" long (2)



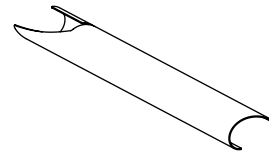
#6-32 Screws  
1/4" long (2)



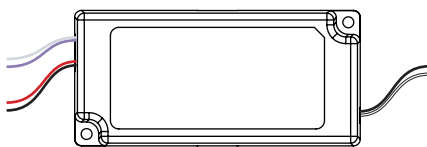
Slotted flat head  
1/2" screws (2)



Tube Shade Short



### LED Driver



Wagos (4)



## SAFETY INFORMATION

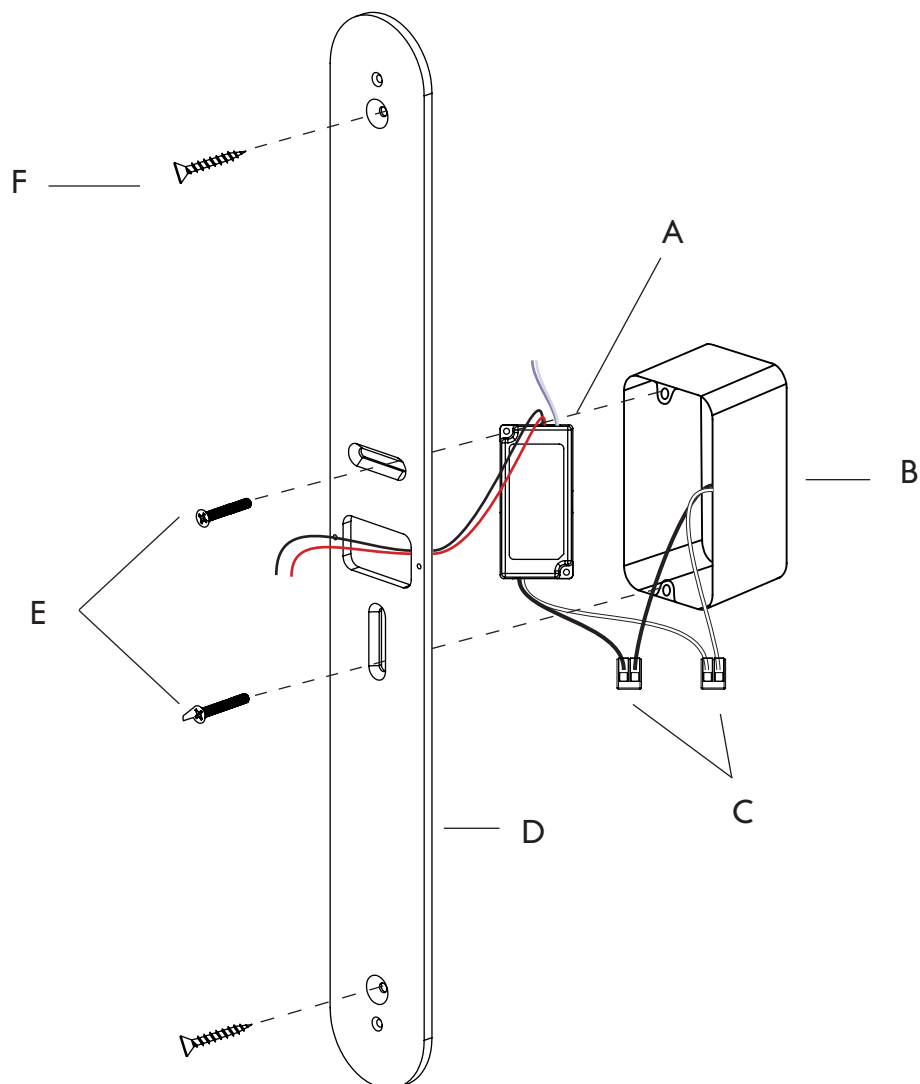
Only suitable for direct mounting on non-combustible surfaces.  
Under no circumstances can Boden Scoene be mounted on normally flammable surfaces.  
Suitable for dry or damp, indoor use only.  
Maximum ambient temperature: 25° C

## CEILING INSTALLATION

---

*Note: Please contact a licensed electrician.*

1. Connect the LED driver (A) lead wires to the Jbox (B) lead wires, using two 2 port wagos (C), and tuck the LED driver and lead wires into Jbox. Leave secondary wires out.
2. Bring the crossbar plate (D) to the Jbox, feed the secondary LED wires through the center hole. Then use two #8-32 3/4" long screws (E) to secure the crossbar plate to Jbox. (Optional, use two #8-32 1-1/2" long screws (F) to secure the top and bottom of the crossbar plate).

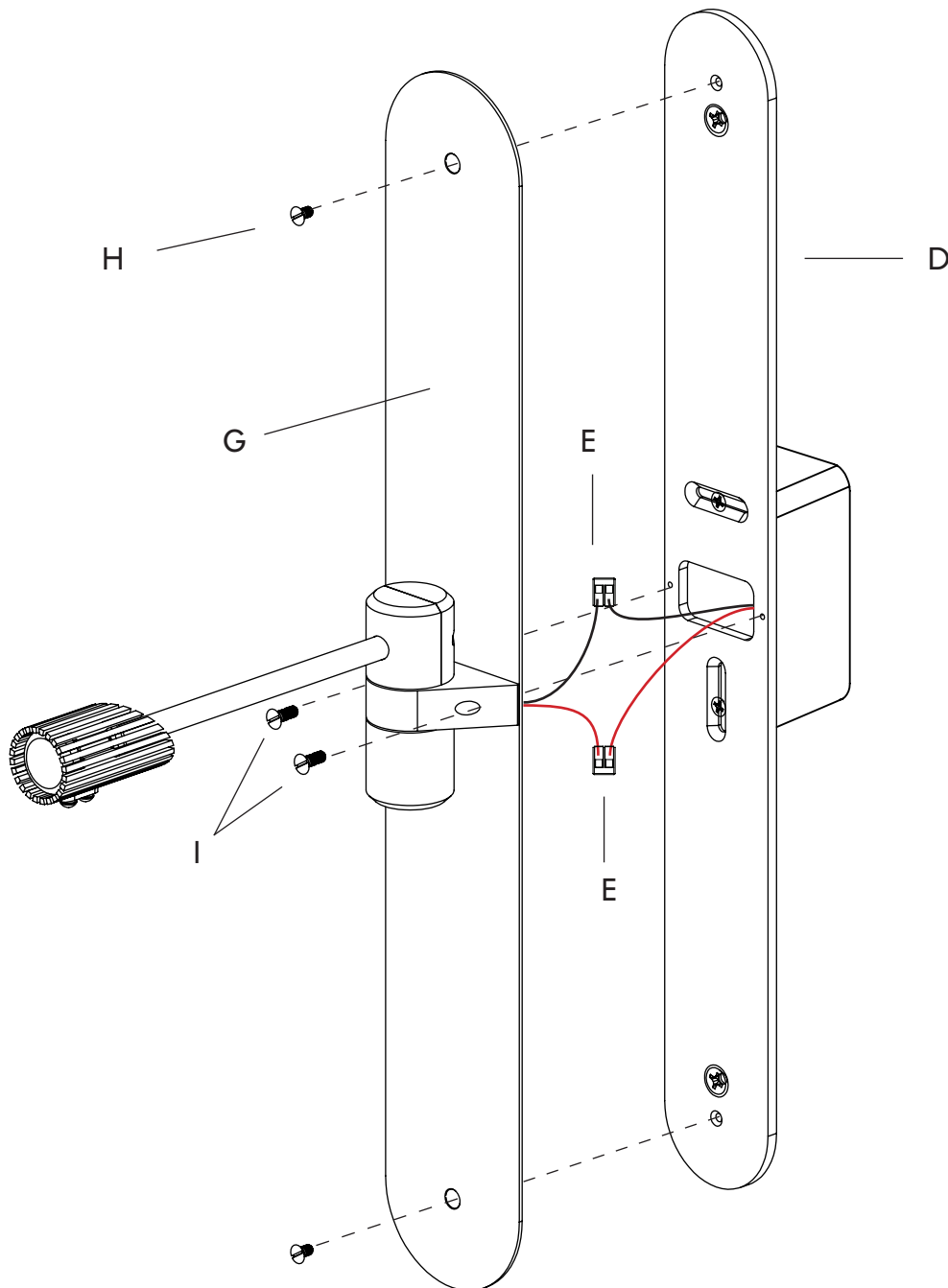


## CEILING INSTALLATION

---

*Note: Please contact a licensed electrician.*

3. Next, lift the fixture (G) up to the crossbar plate (D), and connect the secondary wires using the provided wagos (E), then tuck in all the wires inside the jbox.
4. Secure the fixture (G) to the crossbar plate (D) using two #6-32 1/4" long screws (H), and two slotted flat head 1/2" screws (I).



## SHADE INSTALLATION

---

*Note: Please contact a licensed electrician.*

1. Install short shade(A) on to short horizontal arm LED socket (B).  
Secure the shade with two 1/4" long 6/32 screws (C).

