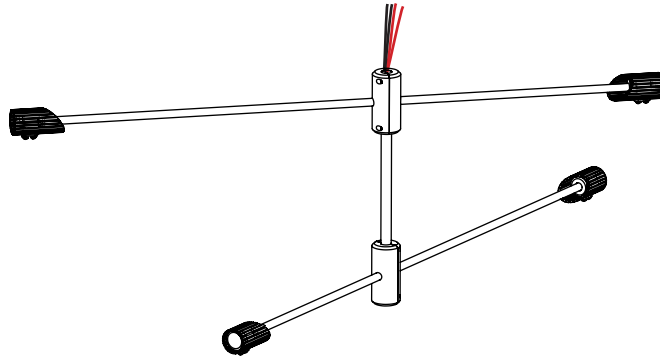
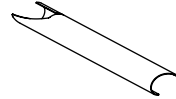


CONTENTS

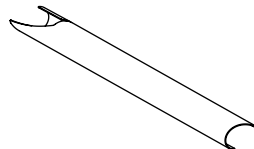
Boden Chandelier Horizontal - 4 Lights



Tube Shade Short (2)



Tube Shade Long (2)



Stem and 1/8 IPS Threaded Rod



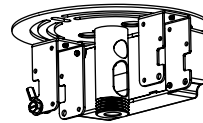
#8-32 Screws (2)



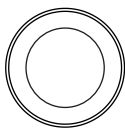
#6-32 Screws 1/4" long (8)



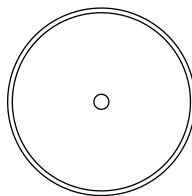
Crossbar Assembly



Threaded collar



Canopy



Wagos (7)



SAFETY INFORMATION

Only suitable for direct mounting on non-combustible surfaces.
Under no circumstances can Boden Pendants be mounted on normally flammable surfaces.
Suitable for dry or damp, indoor use only.
Maximum ambient temperature: 25° C

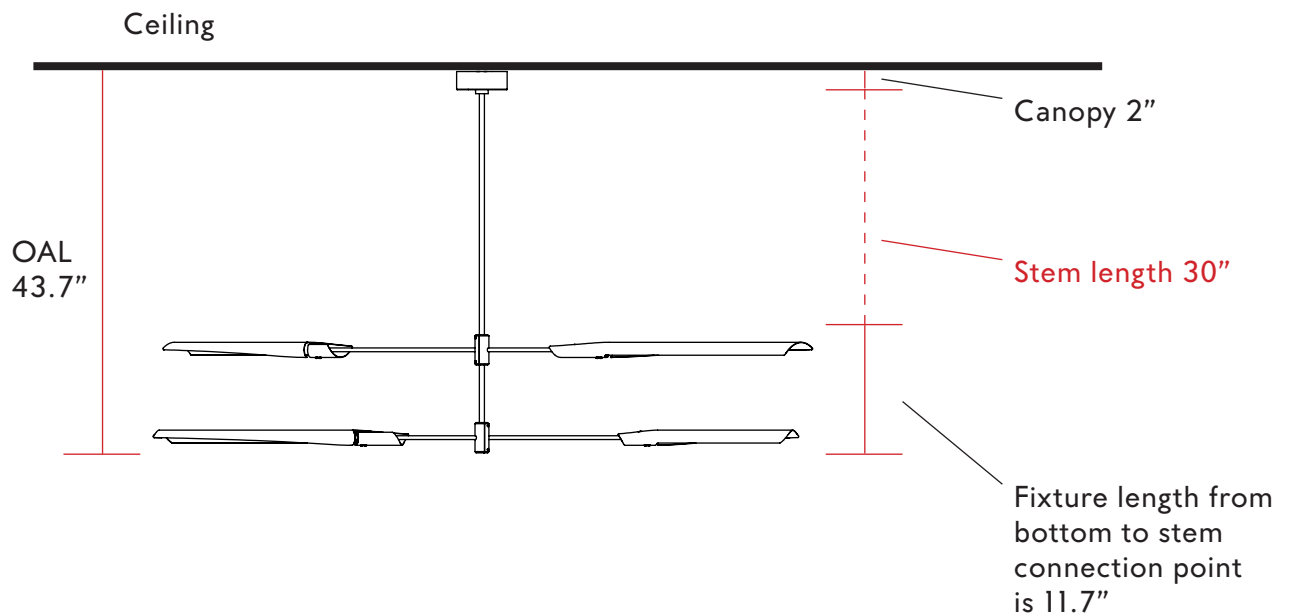
Stem and cover tube length adjustment

Note: Please contact a licensed electrician.

Example fixture only:

To measure length of stem, first determine overall length (OAL), subtract 2" for the canopy height and subtract the fixture height from the OAL. Fixture height is measured from bottom of the fixture to stem connection point. The resulting measurement is the final stem length.

Ex. The fixture below has an OAL of 35" and a fixture height of 3".
 $43.7'' \text{ OAL} - 2'' \text{ canopy} - 11.7'' \text{ fixture height} = 30'' \text{ stem}$

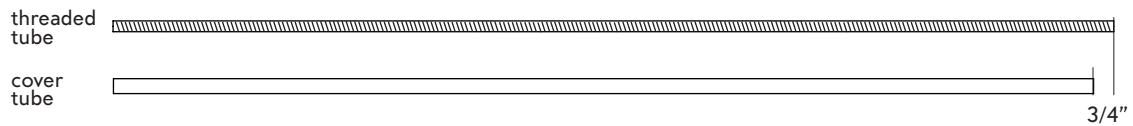


Stem and cover tube length adjustment

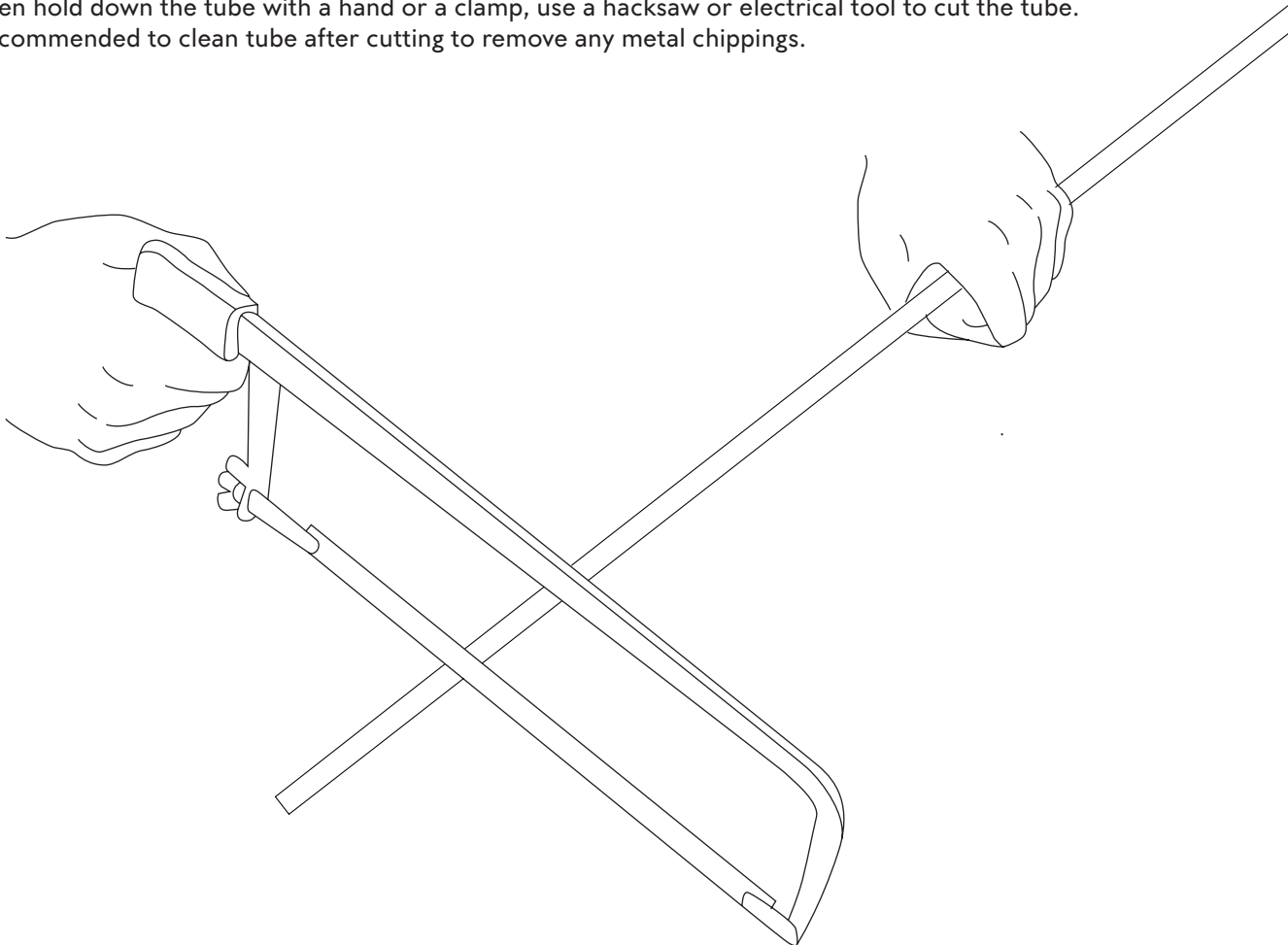
Note: Please contact a licensed electrician.

Example fixture only:

1. To customize the length of the provided stem, cut cover tube to desired length.
Then cut the inner threaded tube so that it remains 3/4" longer than the cover tube.



2. Mark the length of the tube required, using a marker or tape.
Then hold down the tube with a hand or a clamp, use a hacksaw or electrical tool to cut the tube.
Recommended to clean tube after cutting to remove any metal chippings.

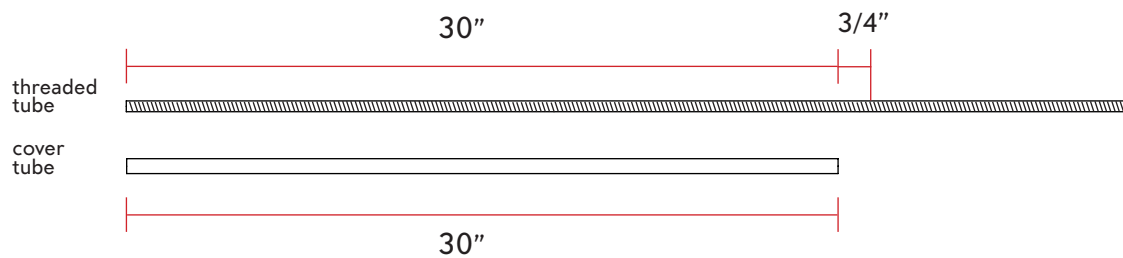


Stem and cover tube length adjustment

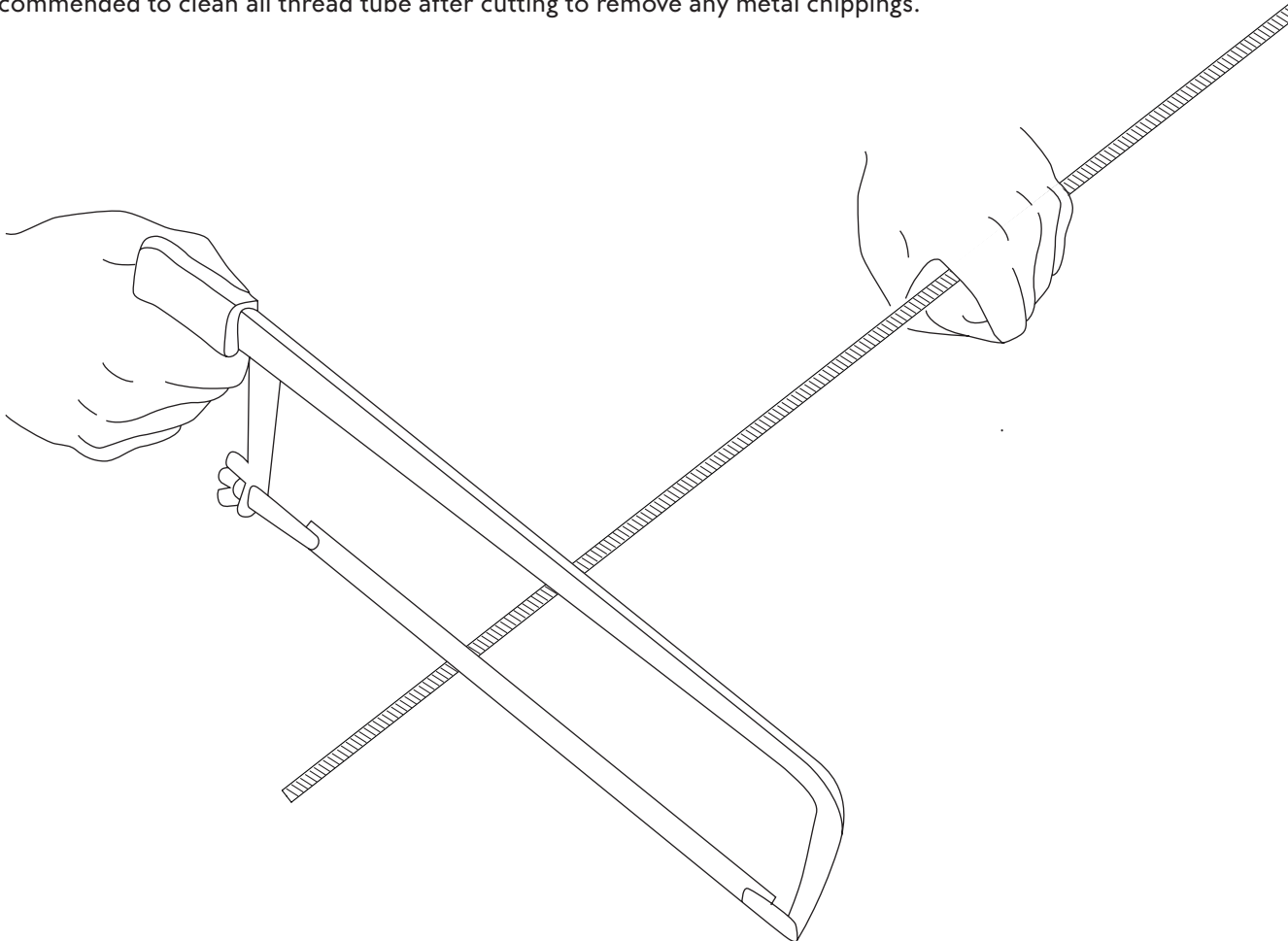
Note: Please contact a licensed electrician.

Example fixture only:

- Now that the cover tube is cut to 30", measure the all thread tube to be 30.75" long. And place a mark, with a marker or tape.



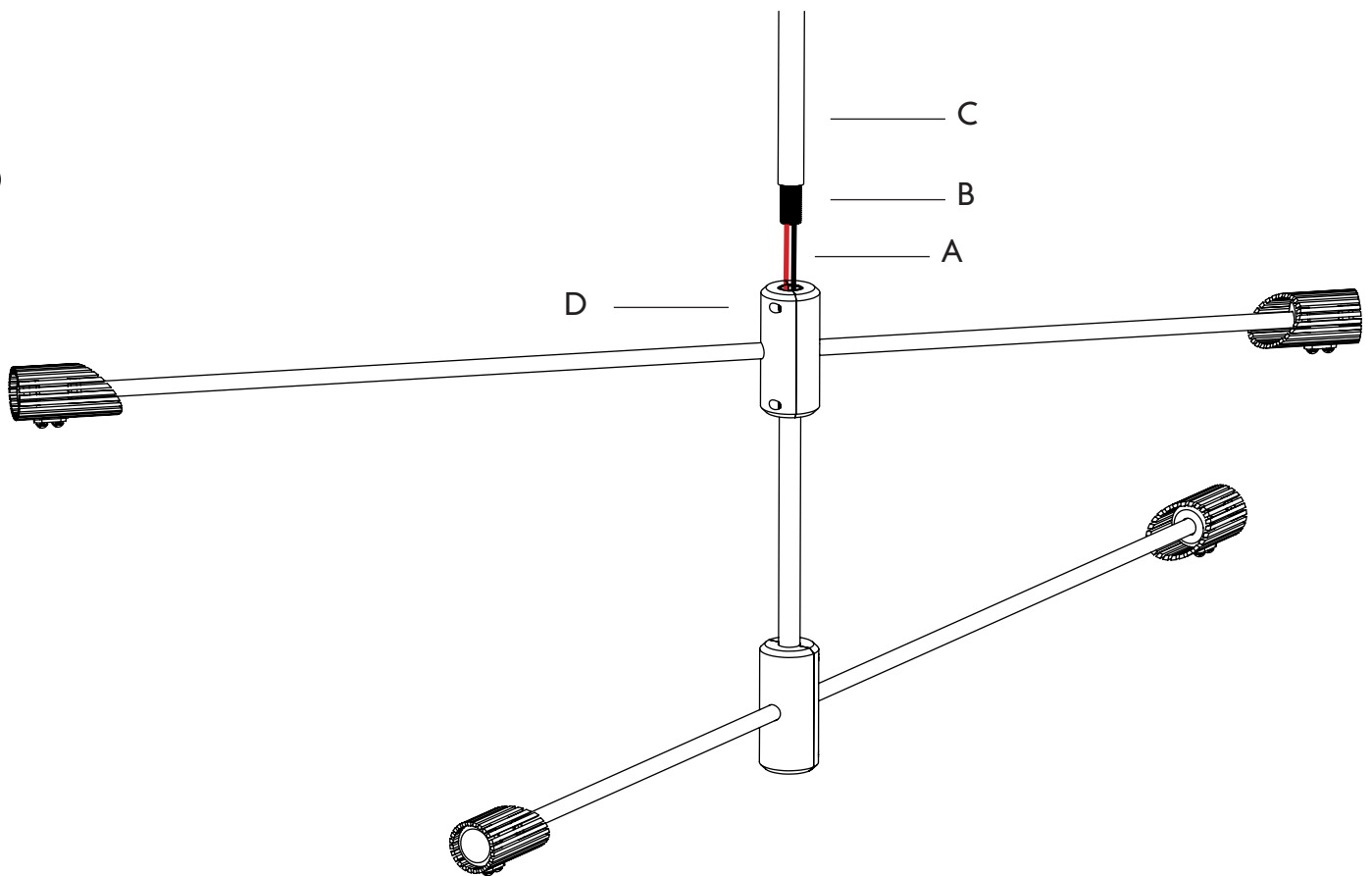
- Hold down the all thread with a hand or a clamp, use a hacksaw or electrical tool to cut the all thread tube. Recommended to clean all thread tube after cutting to remove any metal chippings.



CEILING INSTALLATION

Note: Please contact a licensed electrician.

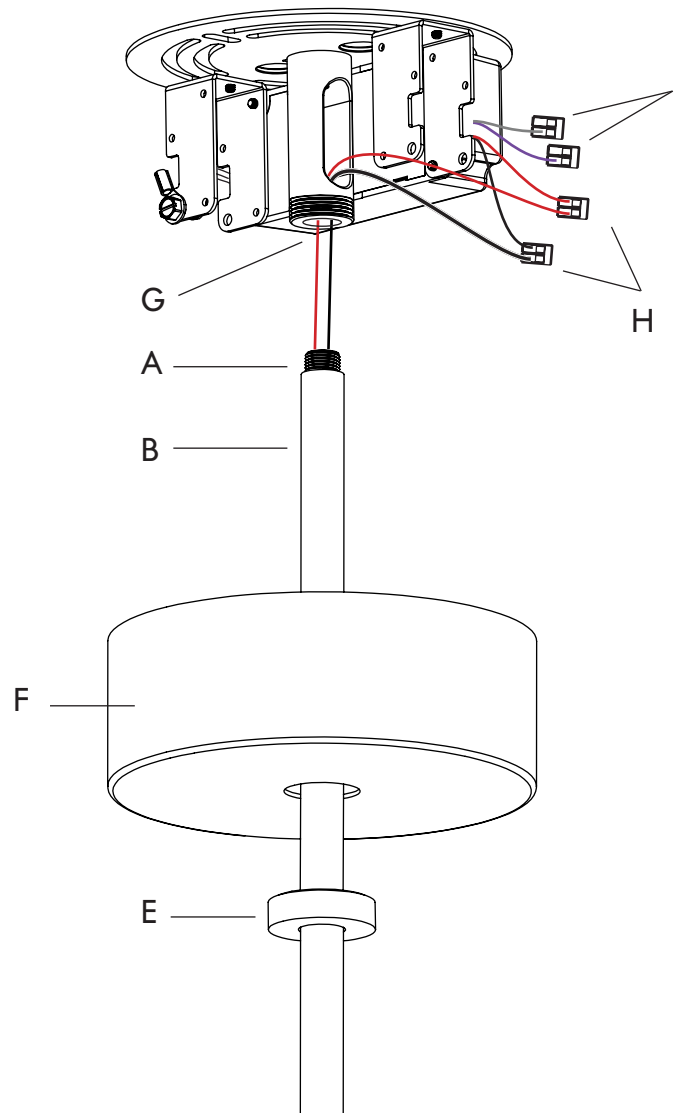
1. Feed the secondary wires (A) from the fixture through the threaded tube (B) and cover tube (C).
2. Screw in the threaded tube (A) into the fixture hub (D)



CEILING INSTALLATION

Note: Please contact a licensed electrician.

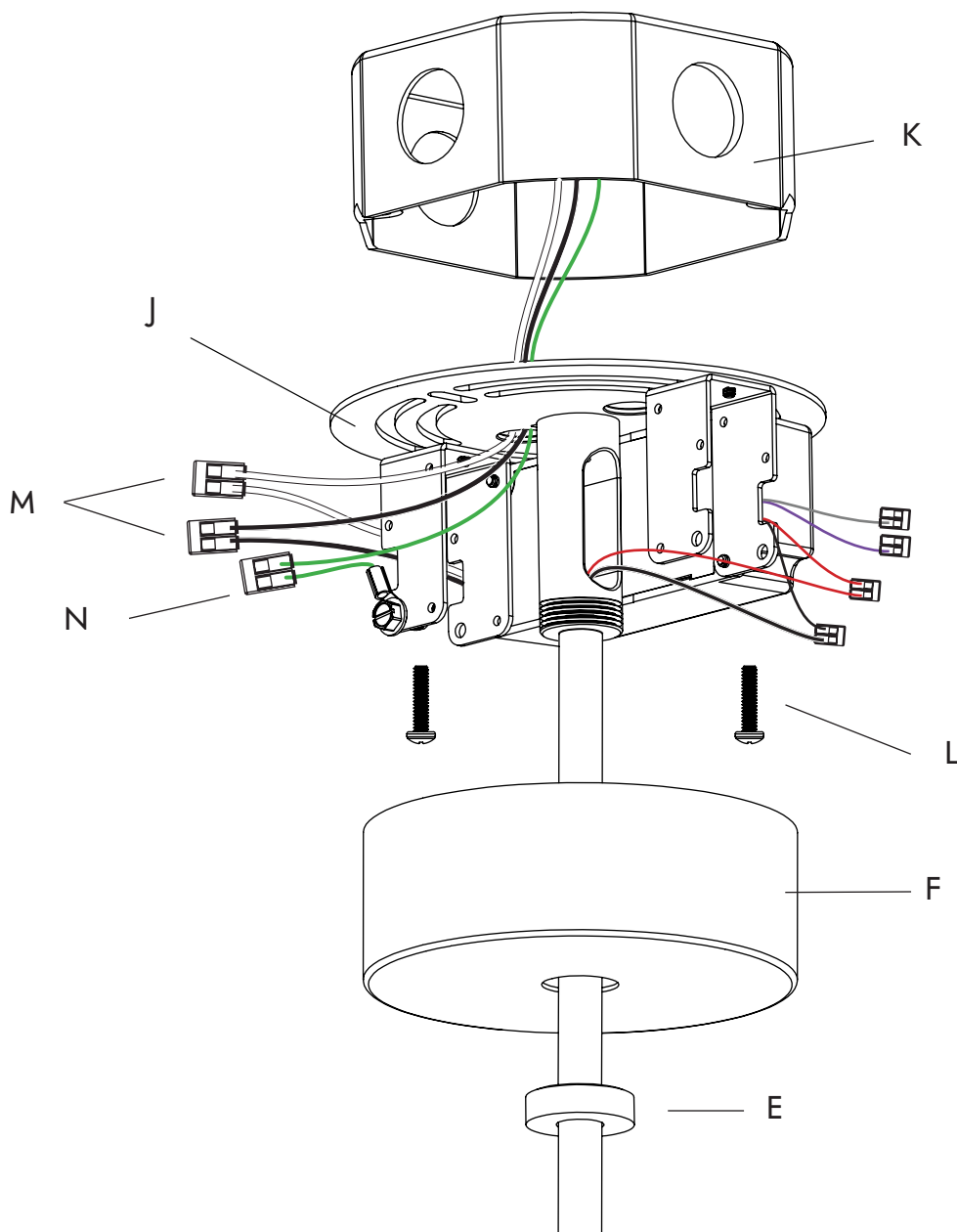
3. Slide the threaded collar (E) and canopy (F) down the cover tube (B).
4. Then feed the secondary wires through the hang straight (G) and screw in the threaded tube (A) into the hangstraight.
5. Connect the secondary wires from the fixture to the LED driver with the provided wago connectors (H). (Optional: Connect the 0-10V dimming wires (I) as needed).



CEILING INSTALLATION

Note: Please contact a licensed electrician.

6. Install crossbar (J) to junction box (K) using #8-32 screws (L). It is recommended to pull the main wires out so they are accessible while making the main connection.
7. Make the lead wire connection with the provided wago connectors (M). And connect the ground wire with the provided wago connector (N).
8. Rise the canopy (F) and secure it with a canopy nut (E), threading it on to the hangstraight.



SHADE INSTALLATION

Note: Please contact a licensed electrician.

1. Install a short shade (A) on to long arm (B), and long shade (C) on to short arm (D).
Next, long shade (E) onto short arm (F), and short shade (G) onto long arm (H).
Then secure the four shades with two 1/4" long 6/32 screws (I) each.

