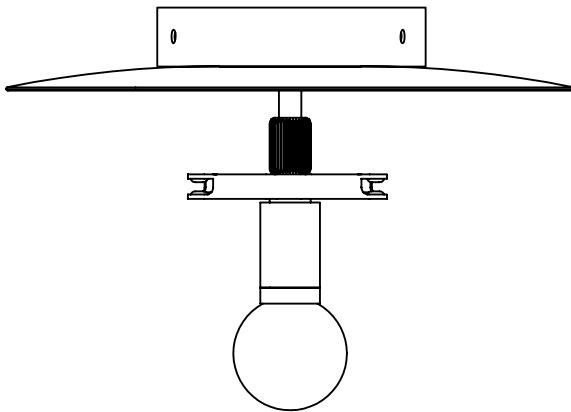


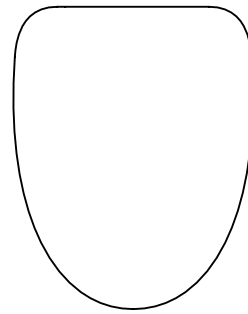
## CONTENTS

---

### Surface Mount



### Glass



### #8-32 Screws (2)



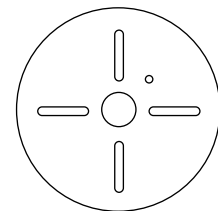
### Canopy screws (3)



### Wagos (5)



### Crossbar



## SAFETY INFORMATION

---

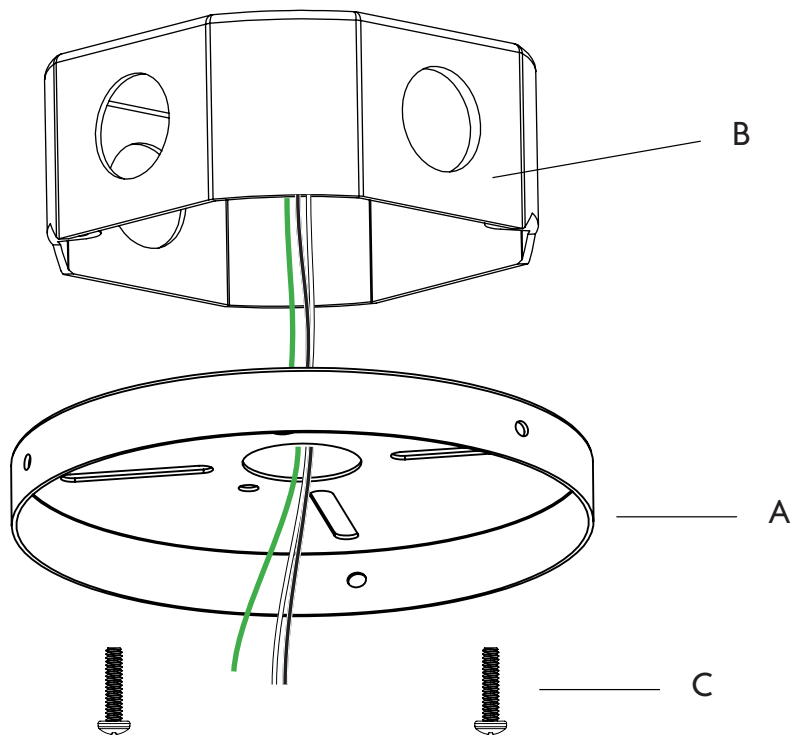
Only suitable for direct mounting on non-combustible surfaces.  
Under no circumstances can Bell Flush Mount be mounted on normally flammable surfaces.  
Suitable for dry or damp, indoor use only.  
Maximum ambient temperature: 25° C

## CEILING INSTALLATION

---

*Note: Please contact a licensed electrician.*

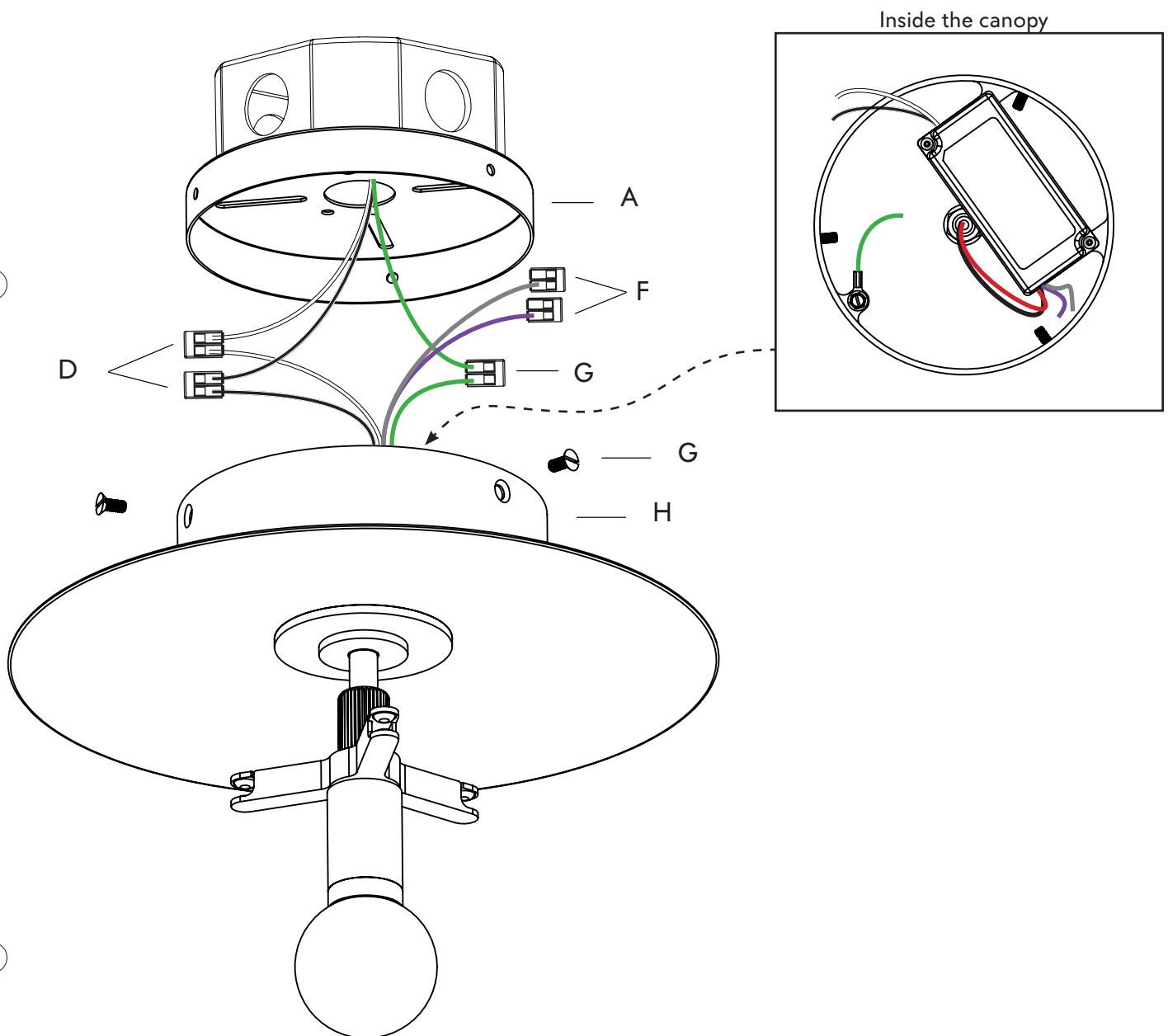
1. Install the custom crossbar (A) to junction box (B) using #8-32 screws (C). It is recommended to pull the main wires out so they are accessible while making the main connection later.



## CEILING INSTALLATION

*Note: Please contact a licensed electrician.*

2. Connect the lead wires with provided wagos (D) from the junction box to the lead wires from LED driver located in the canopy (E).  
(Optional: Connect the 0-10V dimming wires (F) as needed)
3. Then, connect the green ground wire with the provided wago connector (G).
4. Raise the fixture over the custom crossbar (A) and secure it in place with three provided canopy screws (H).



## GLASS INSTALLATION

---

*Note: Please contact a licensed electrician.*

1. Unscrew the thumb nut (A) raising the arm fitter (B).
2. Slide the glass (C) at an angle into each arm slot one at a time, and rest the glass evenly on rubber pads (D).
3. Fit the arm fitter (B) over the glass, and secure with the thumb nut (A).

