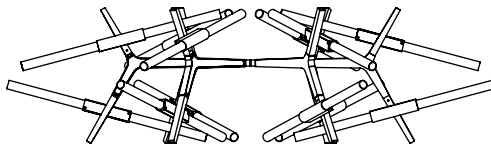
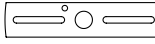

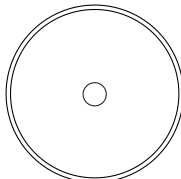
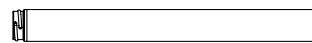




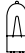
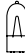







## CONTENTS

<p>Astral Agnes 03</p> 	<p>Crossbar</p>  <p>3/32 Allen Key</p> 	<p>Canopy</p> 
<p>Glass Diffusers (24)</p> 	<p>Hangstraight</p> 	<p>Hook</p> 
<p>Bulbs (24)</p> <ul style="list-style-type: none"> <li> Incandescent 120V (bulbs included)</li> <li> Incandescent 240V (bulbs not included)</li> <li> Halogen 120V (bulbs included)</li> <li> Halogen 240V (bulbs not included)</li> <li> LED 120V (bulbs included)</li> <li> LED 240V (bulbs not included)</li> </ul>	<p>Stem and Threaded Tube</p> 	<p>#8-32 Screws (2)</p>  <p>1/4 IPS Nipple</p> 

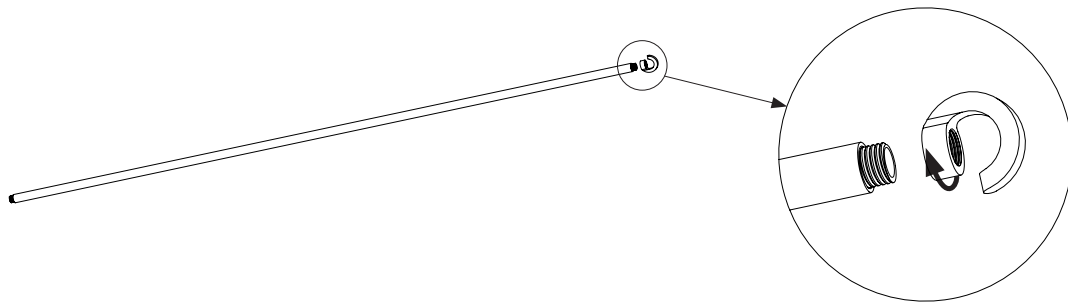
## SAFETY INFORMATION

Only one light bulb per socket.  
 Only suitable for direct mounting on non-combustible surfaces.  
 Under no circumstances can Astral Agnes Chandeliers be mounted on normally flammable surfaces.  
 Suitable for dry, indoor use only.  
 Maximum ambient temperatures: 25° C

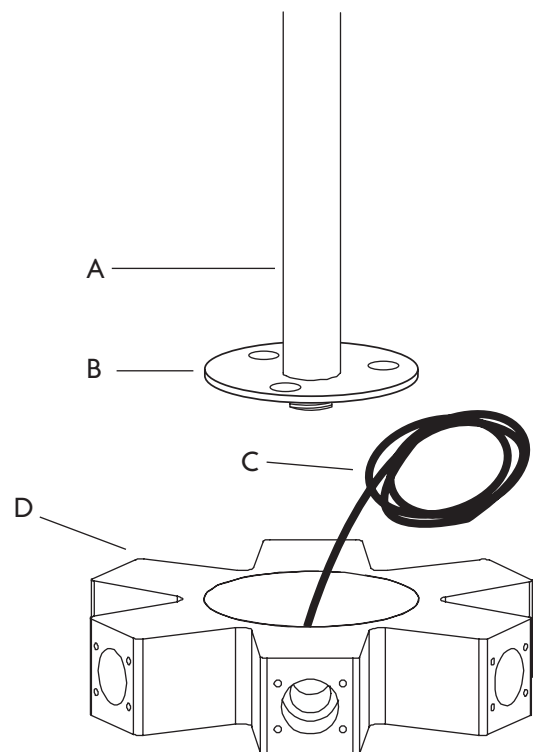
## CEILING INSTALLATION | AGNES

*Note: Please contact a licensed electrician.  
Note: Do not use bulbs that exceed 25 watts.*

1. To customize the length of the provided 36-inch stem, you may cut to desired length. Then cut the inner all-thread tube to the same length plus 1/2 inch to allow room for threading. Thread the hook back on to the end of the stem.



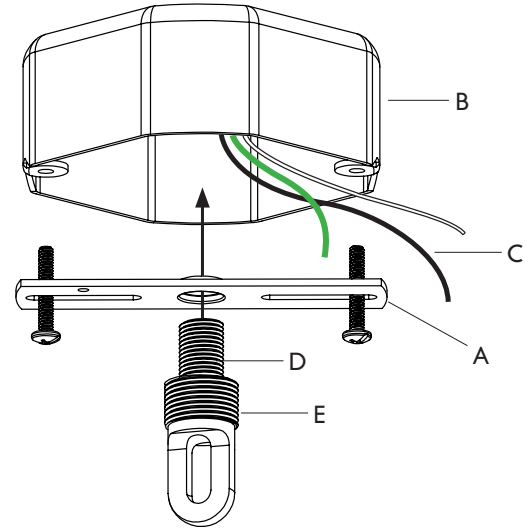
2. Feed the black lead wire (C) up from the fixture through the top of the stem. Attach the stem (A) with connected hub cap (B) to the Astral hub (D) by screwing three screws into place.



## CEILING INSTALLATION | AGNES

3. Install the crossbar (A) using #8-32 screws to junction box (B). Pull the main wires out so they are accessible while making the main connection later (C).

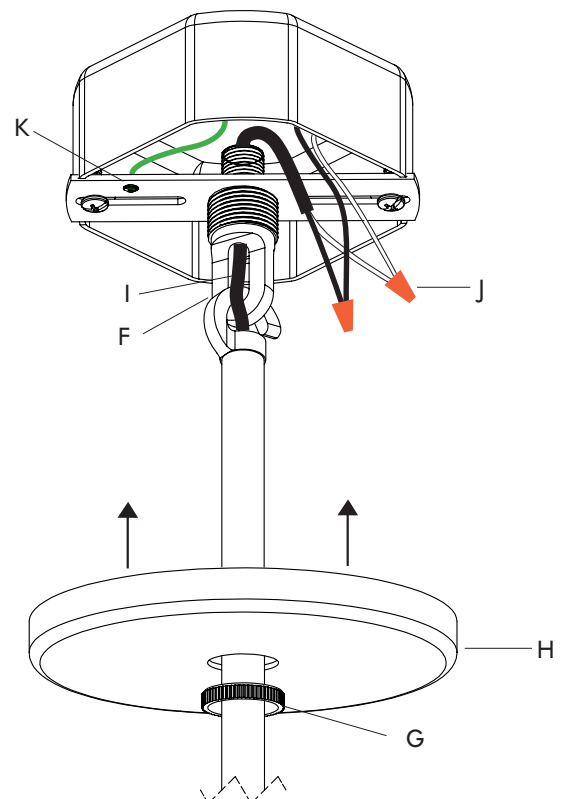
4. Once the crossbar is secure, screw the 1/4 IPS nipple (D) into the hangstraight (E) and then into the crossbar.



5. Carefully lift the fixture and secure the hook on the stem to the hangstraight loop (F). Note that the hangstraight nut (G) and canopy (H) are not attached at this point and hang below the junction box connection.

6. Guide the lead wire from the stem through the hangstraight into the junction box (I). Strip the wires and make the connections to the leads in the ceiling (J). Attach the green ground wire to the crossbar with the ground screw (K).

7. Tuck the connected wires into the junction box and raise the canopy and hangstraight nut. Thread the nut onto the hangstraight, tightening the canopy flush to the ceiling.



## CHANGING THE BULBS | AGNES

---

*Note: Make sure to power off fixture and allow bulbs and metal arms to cool.*

1. Carefully unscrew glass (A) from metal cups (D) in counterclockwise direction.



*For G9 Halogen and LED Bulbs:*

2. Pull the bulb out of the socket and replace.



*For Incandescent Bulbs:*

2. Carefully unscrew bulb and replace.

